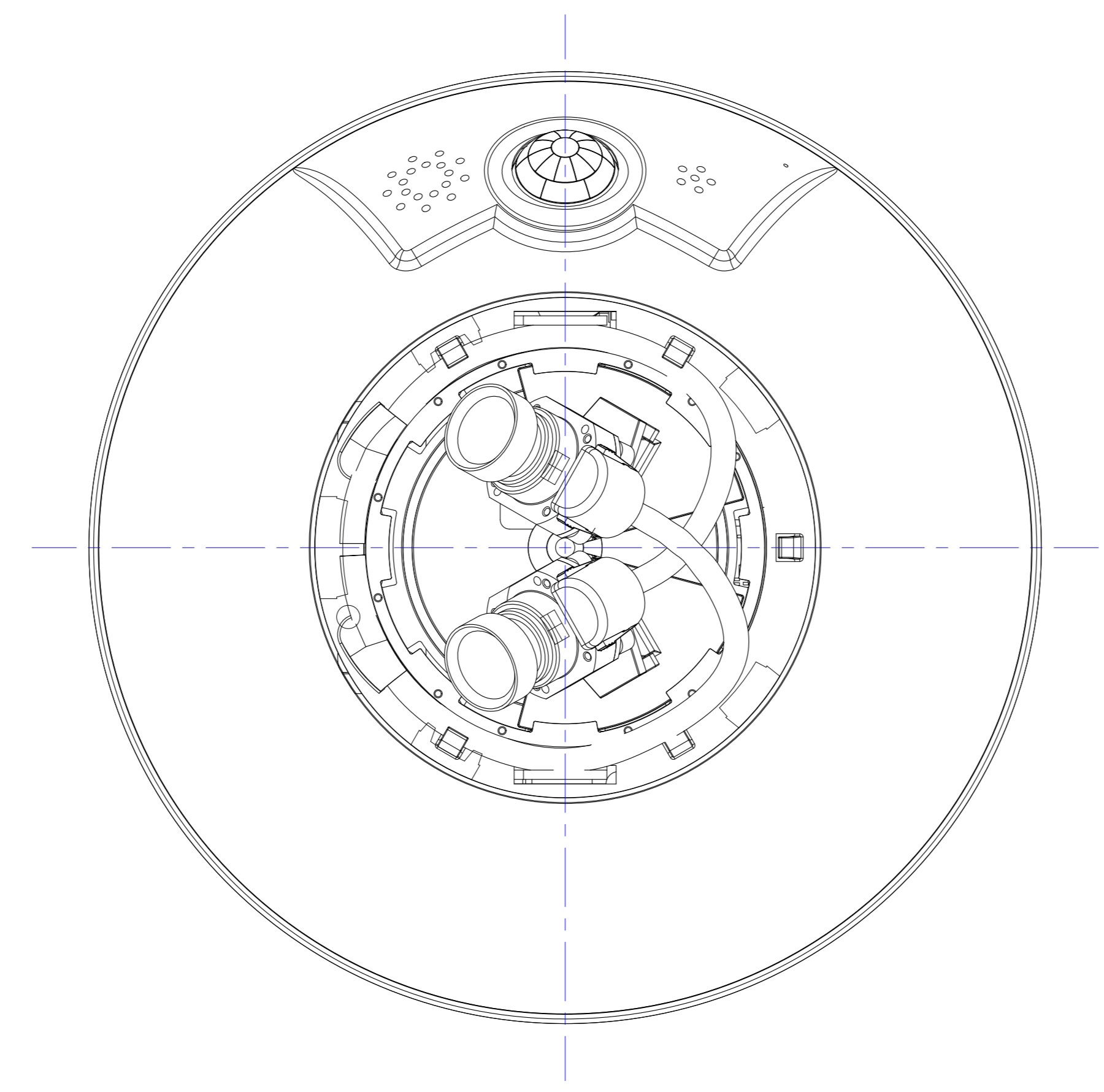
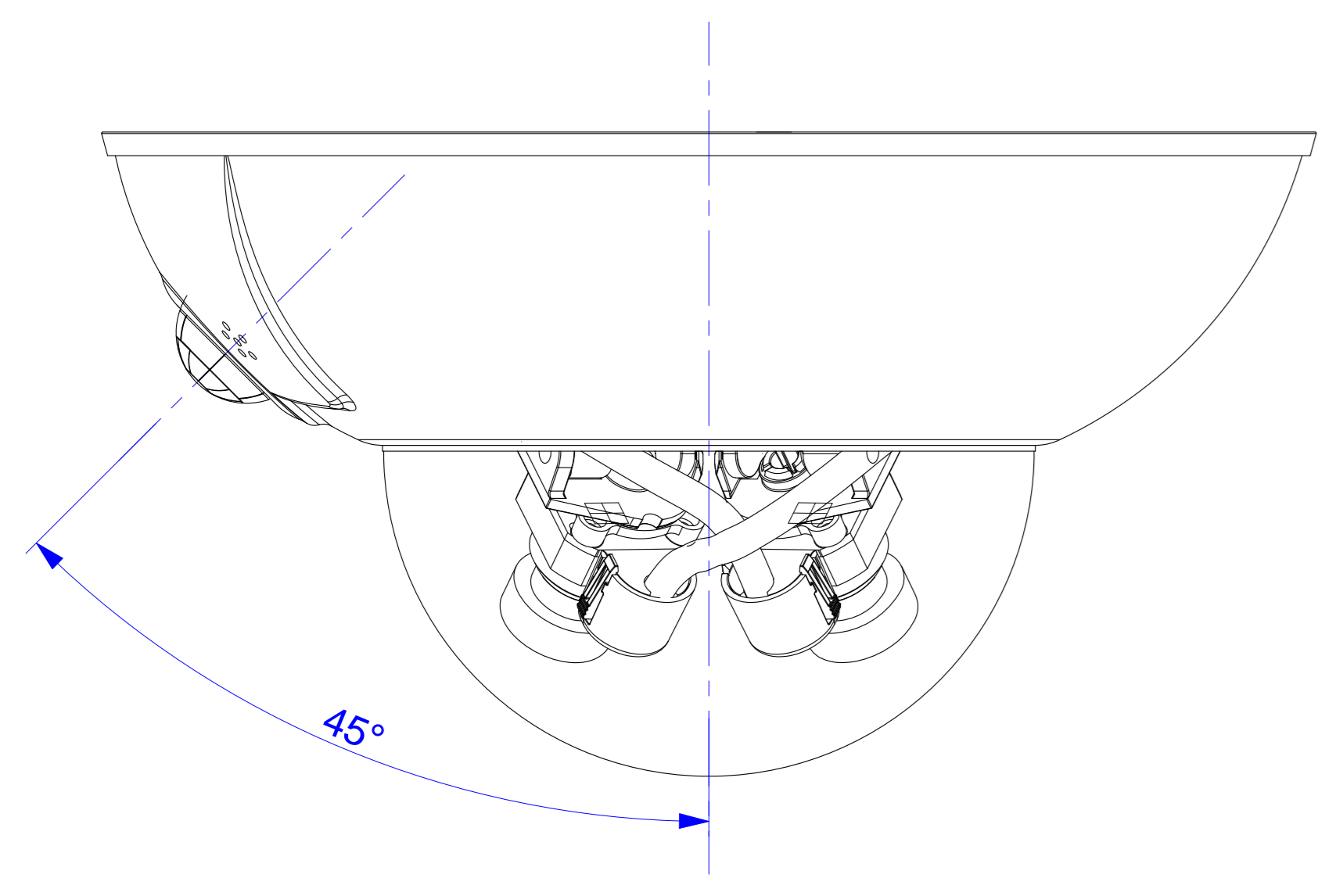


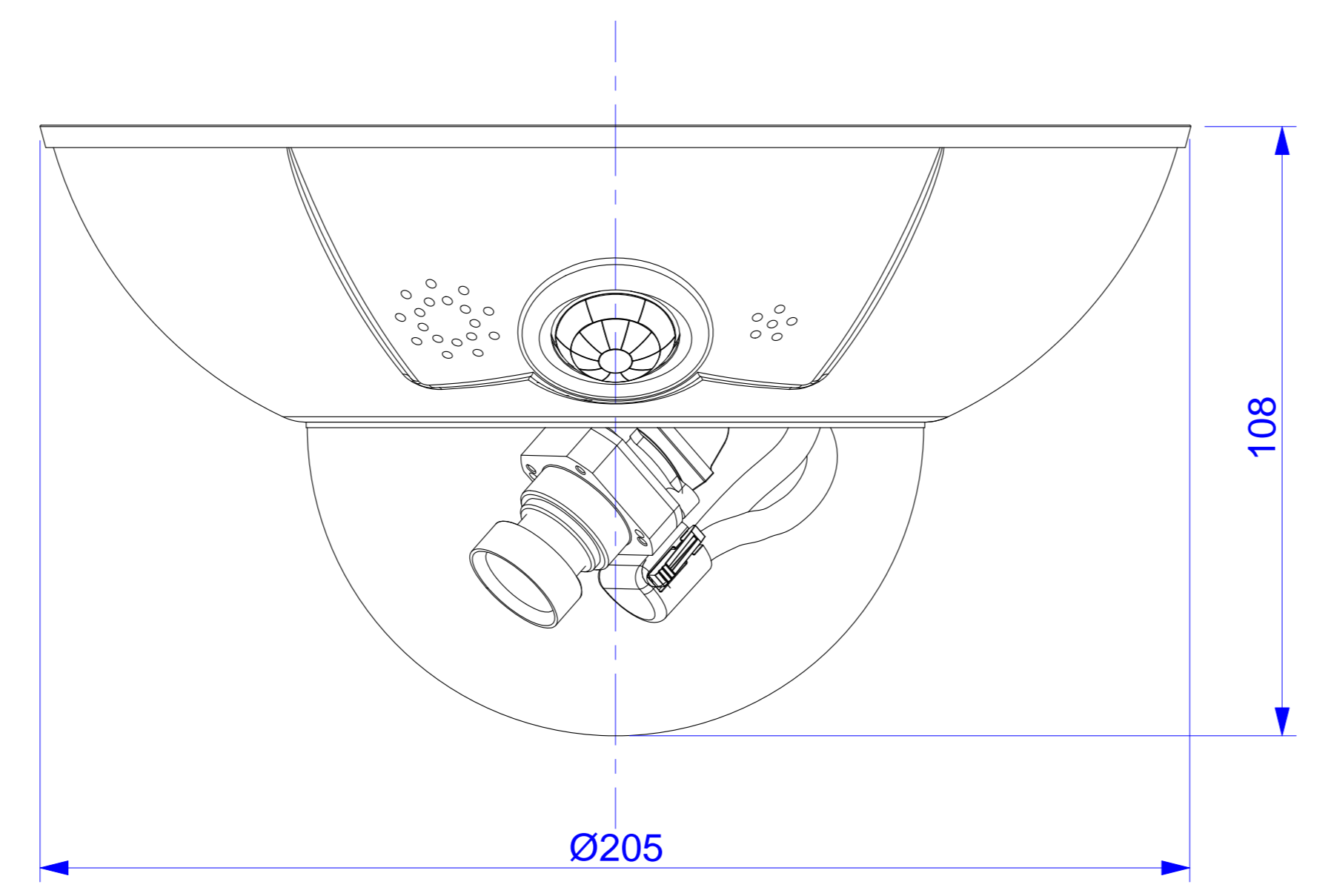
Top



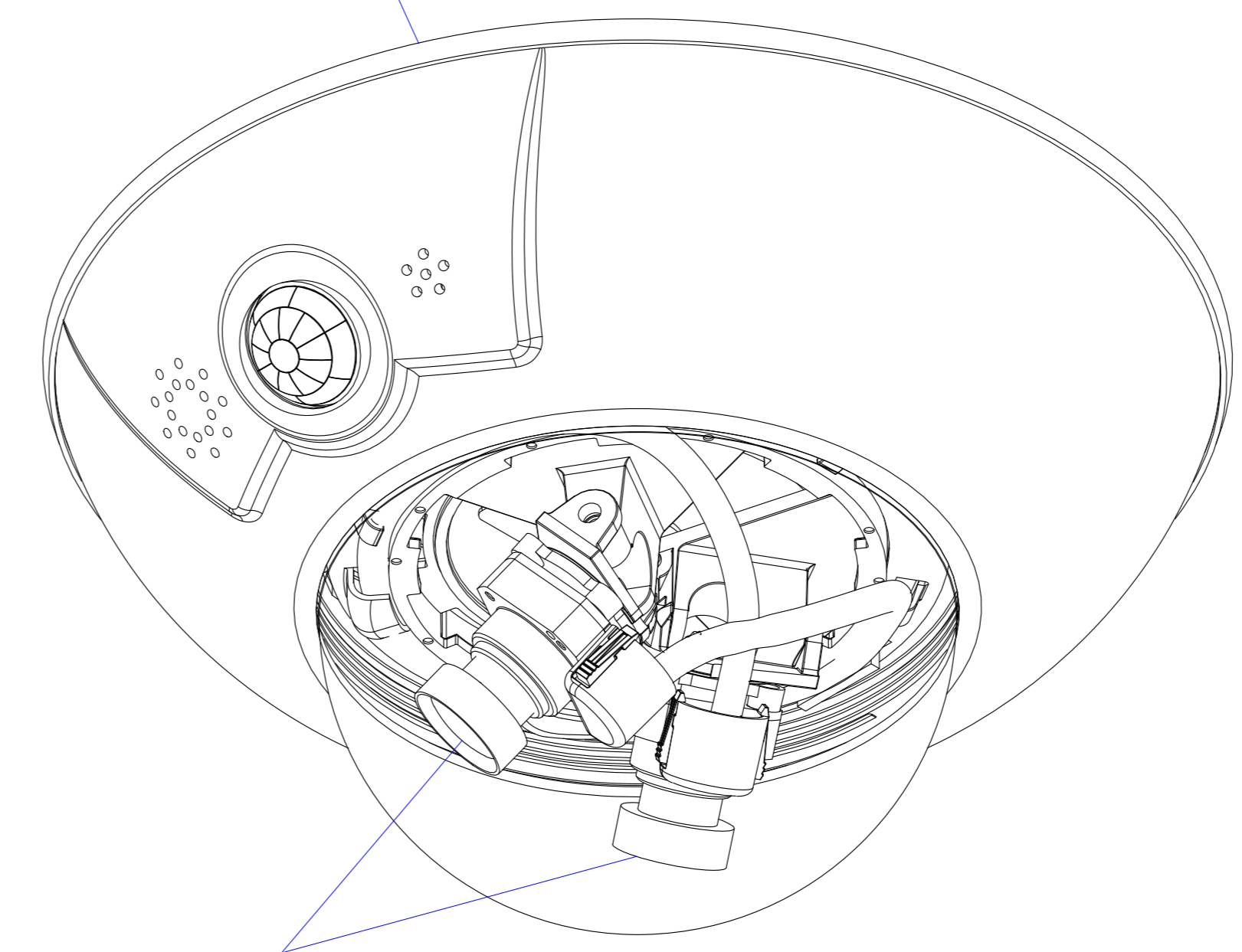
Side



Front

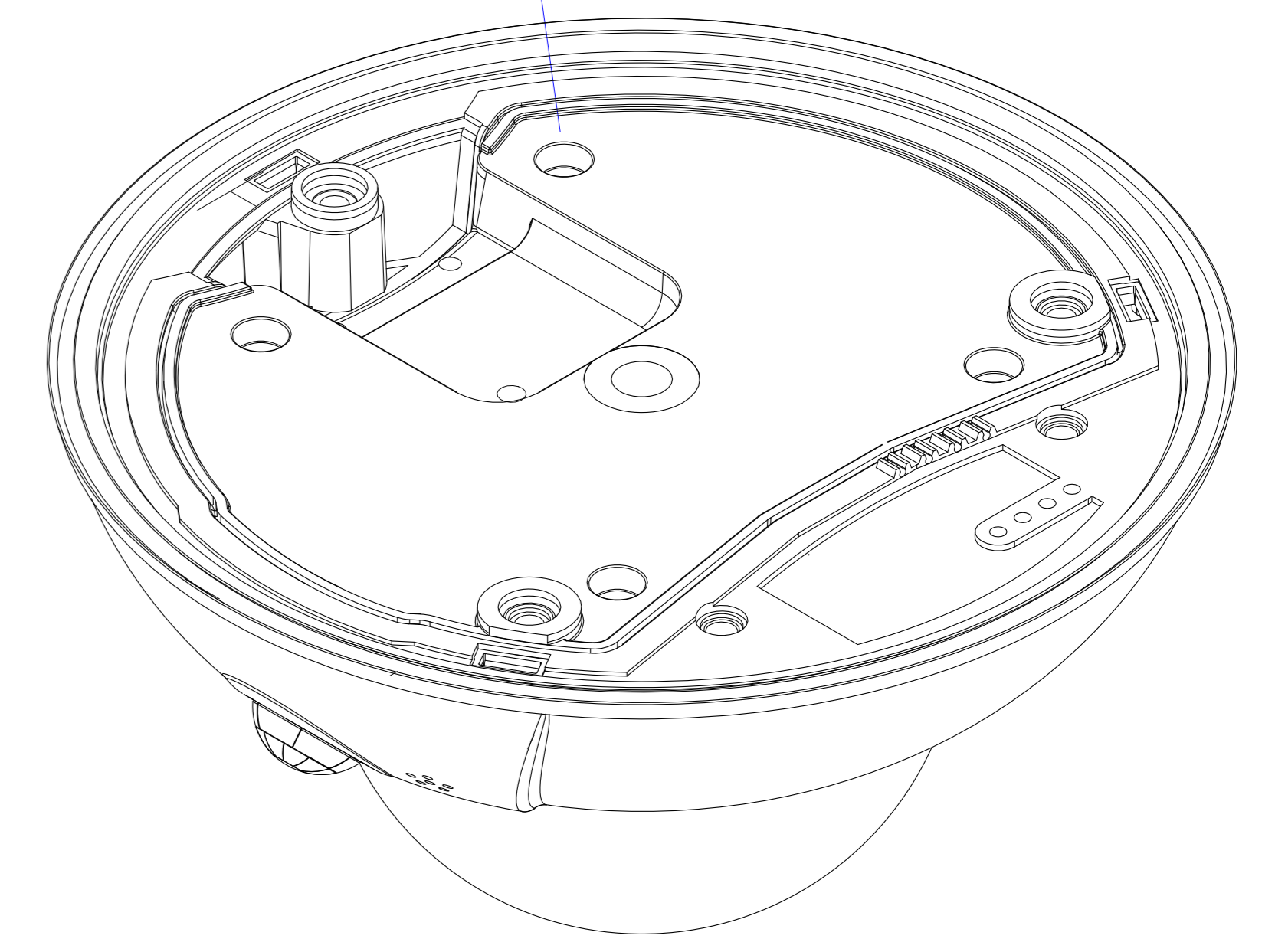


Camera housing

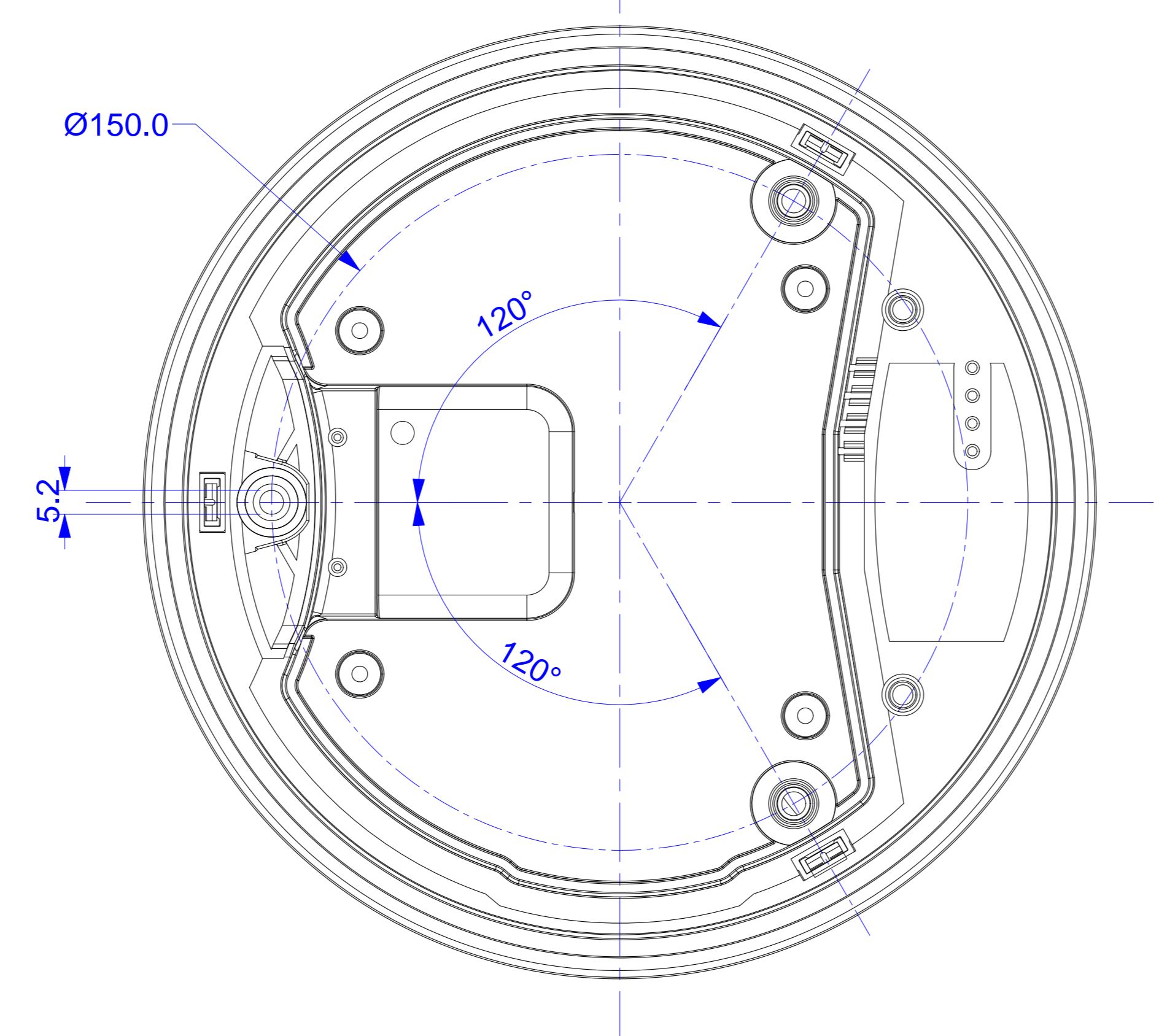


Lens


Mounting plate



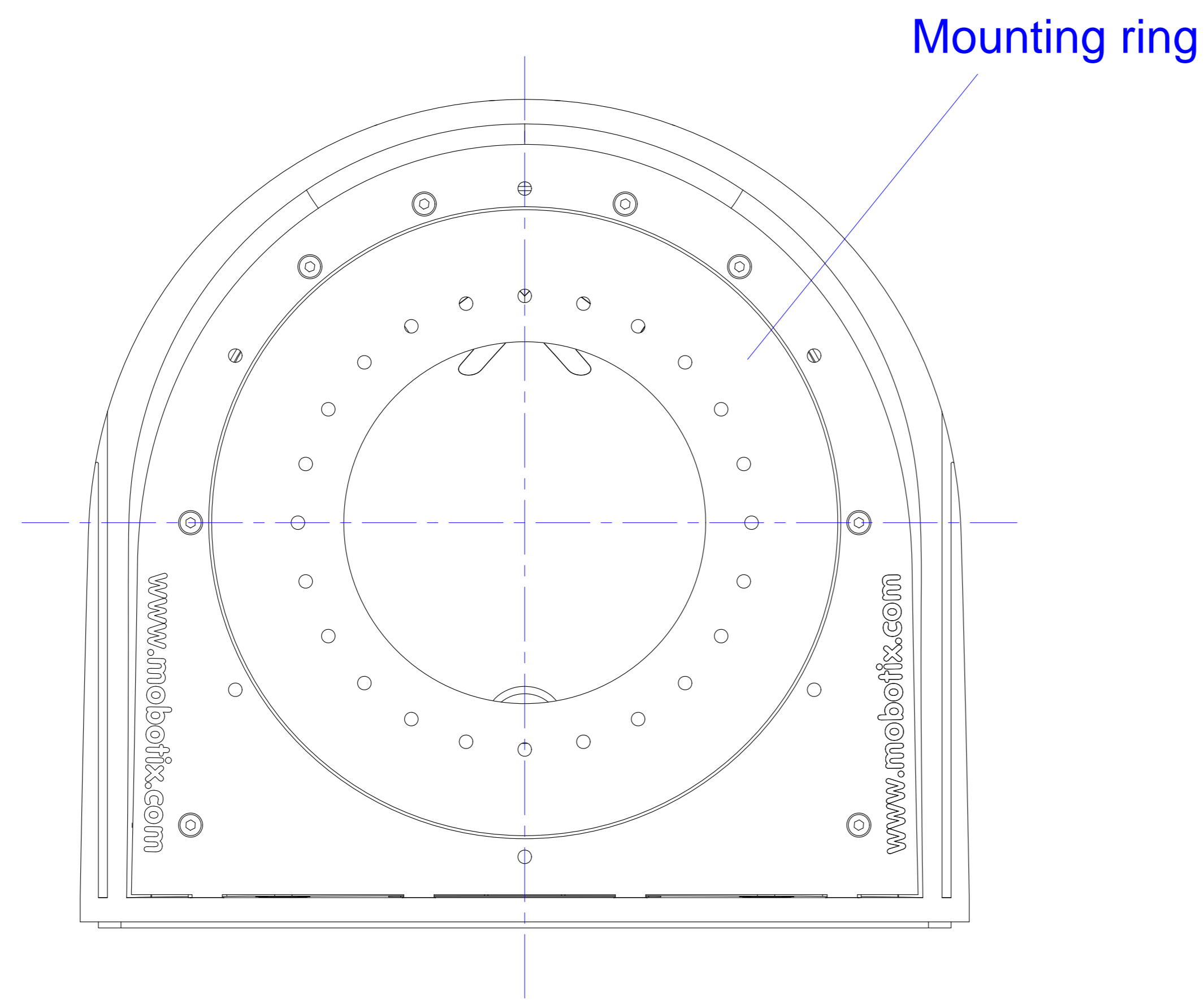
Bottom



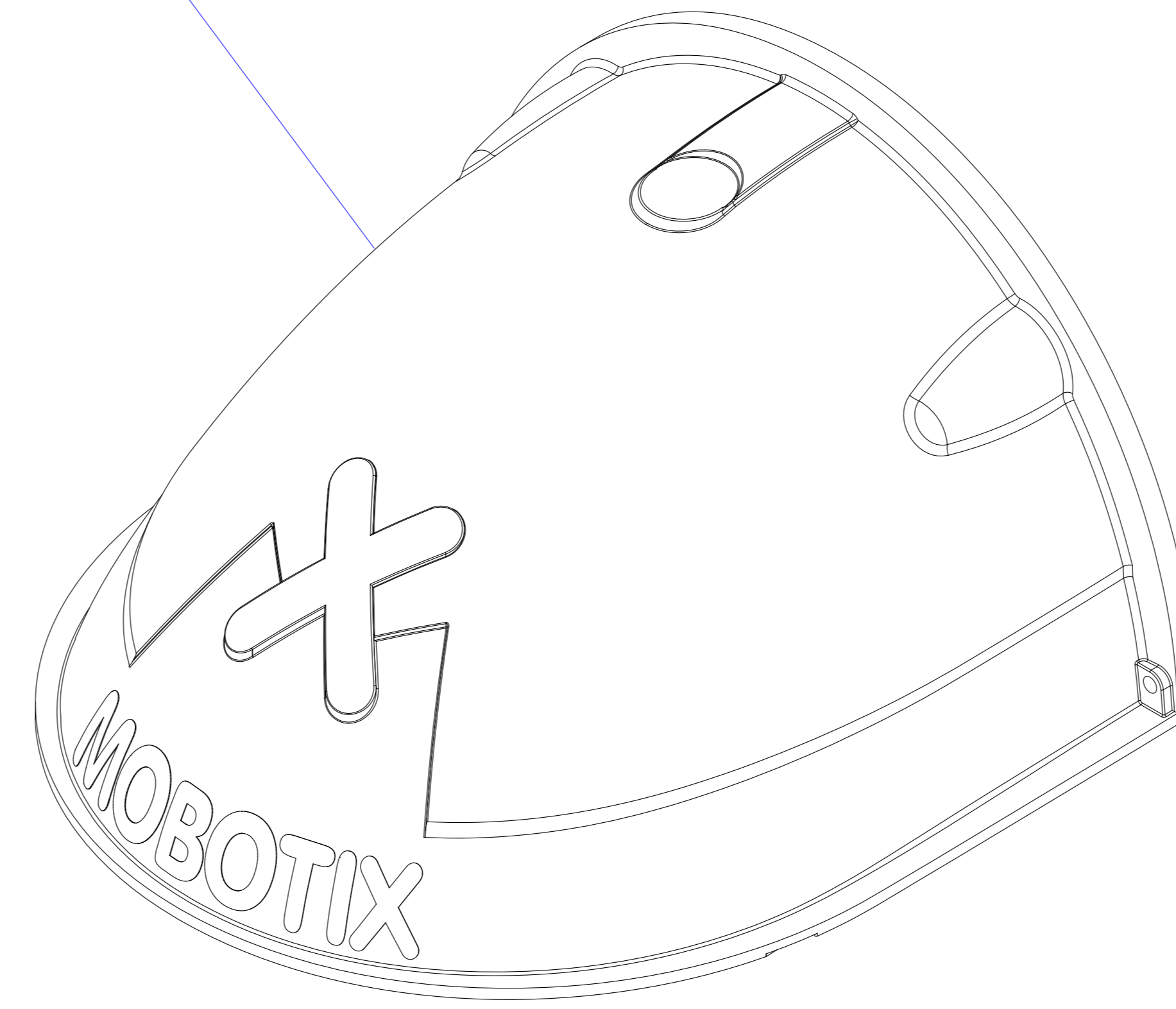
For internal use only. Technical specifications subject to change without notice. MOBOTIX does not assume responsibility for mistakes and recommends to verify measures and mechanical design with an actual product of the chosen MOBOTIX hardware. The reproduction, distribution and utilization of this document as well as the communication of its contents to others without express authorization is prohibited. Offenders will be held liable for the payment of damages. All rights reserved in the event of the grant of a patent, Utility model, design or trademark. No rights are transferred herewith.

All measures are in mm		Surface quality		 Company MOBOTIX AG	
Drawn	Name SBe	Signature	Date 14.03.13	Product D15 Camera	
Tested					
Approved					
Production					
Quality				Material	Drawing
				Weight	DIN A0
				Scale 1:1	Page 1/1

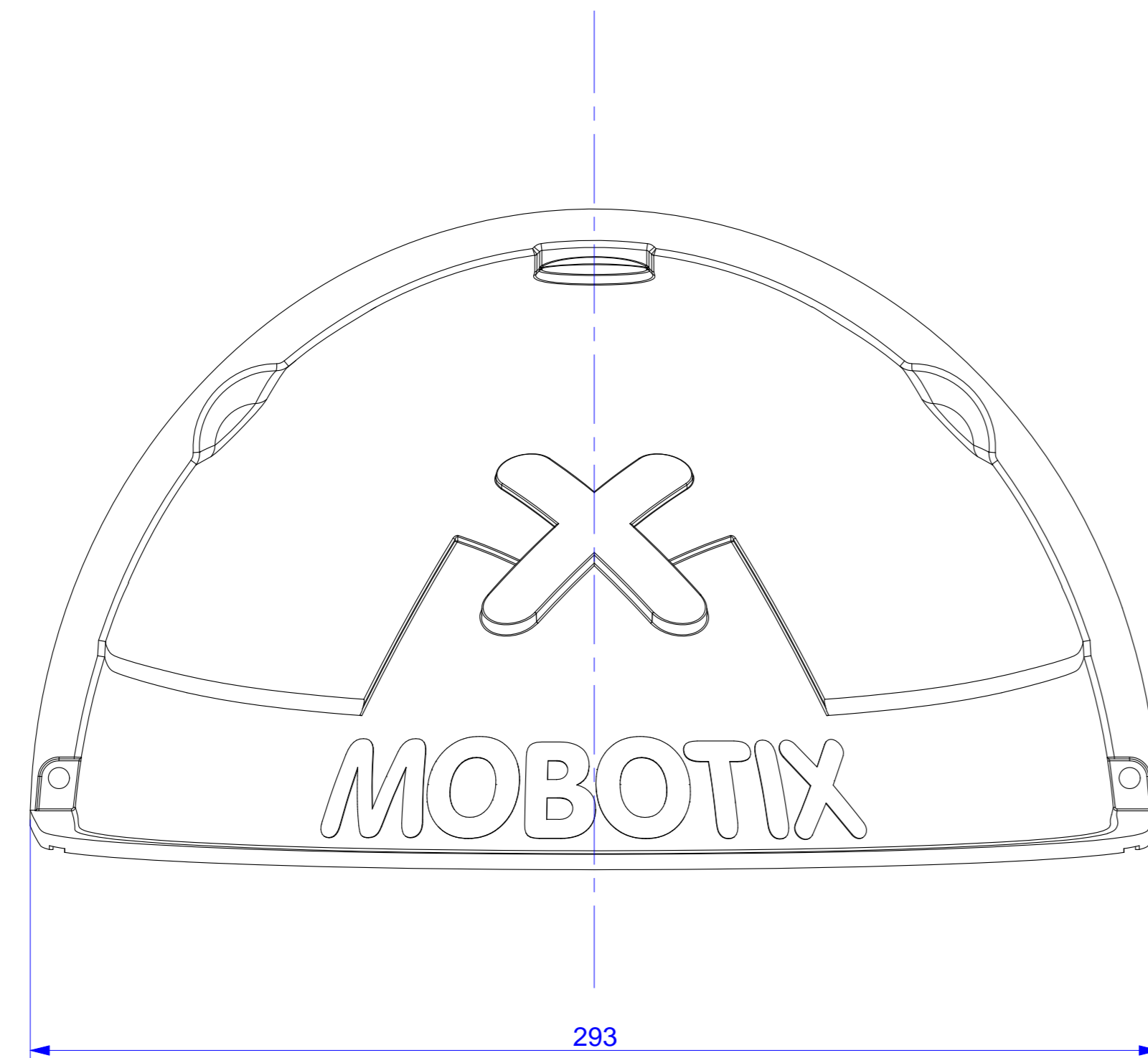
Top



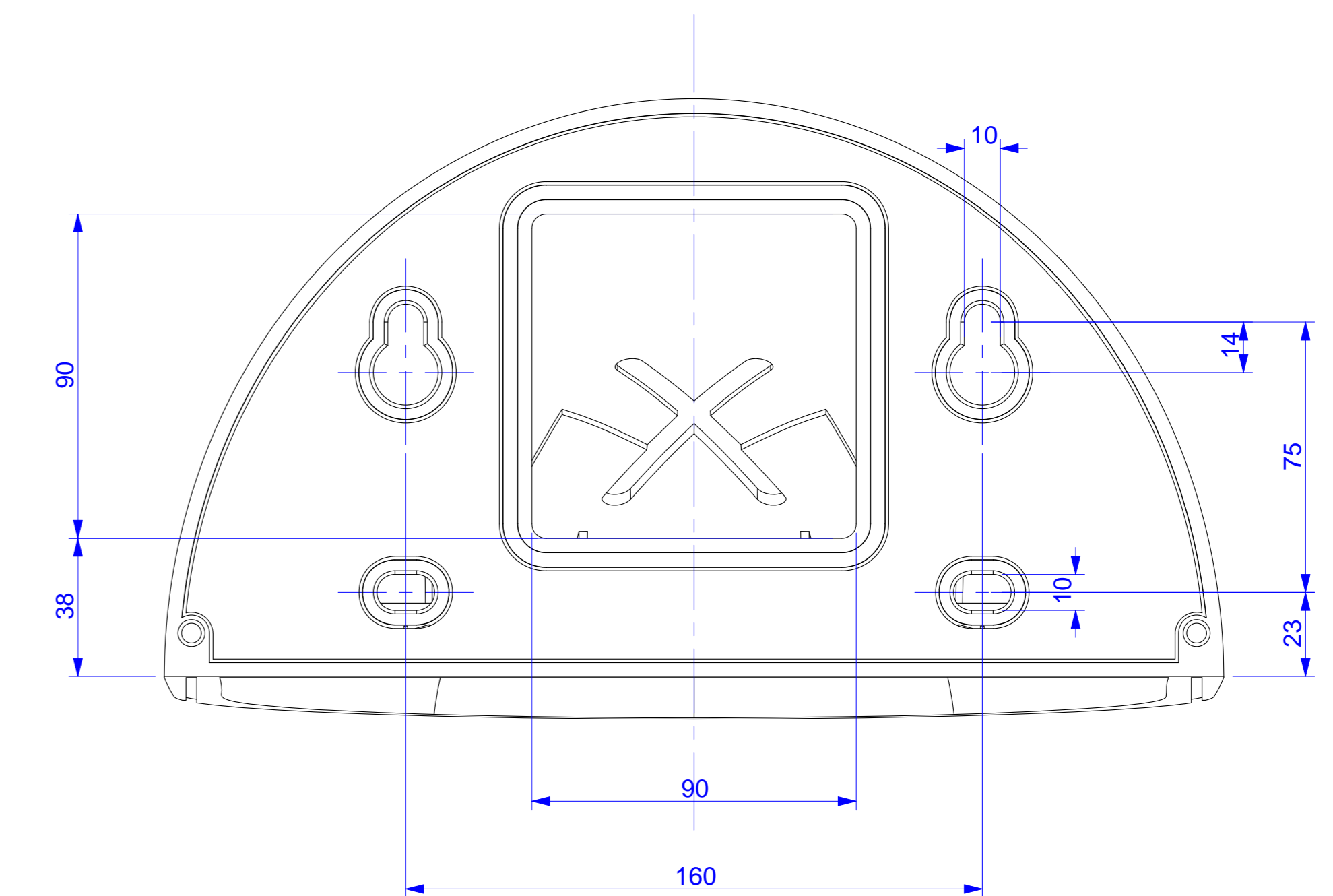
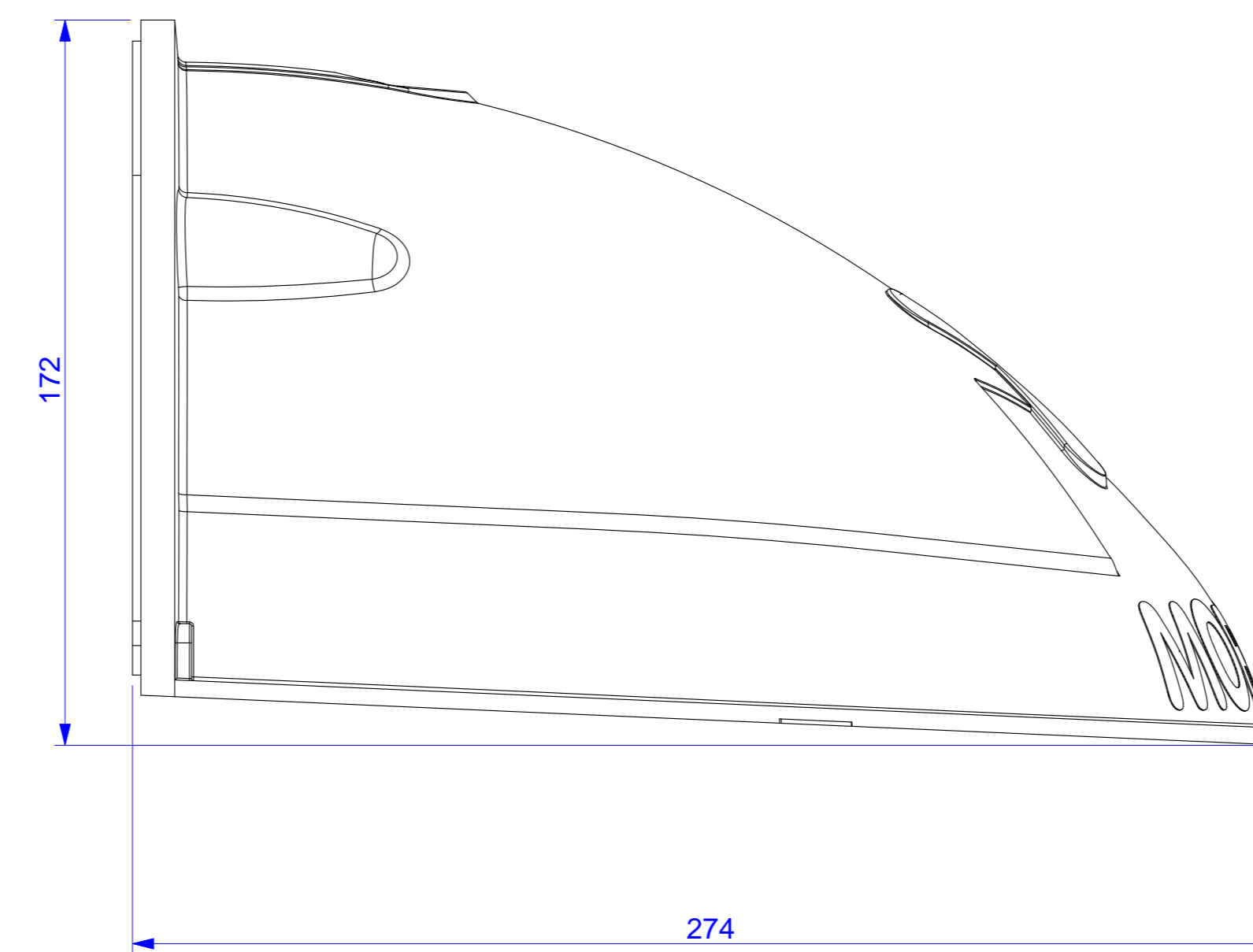
Housing



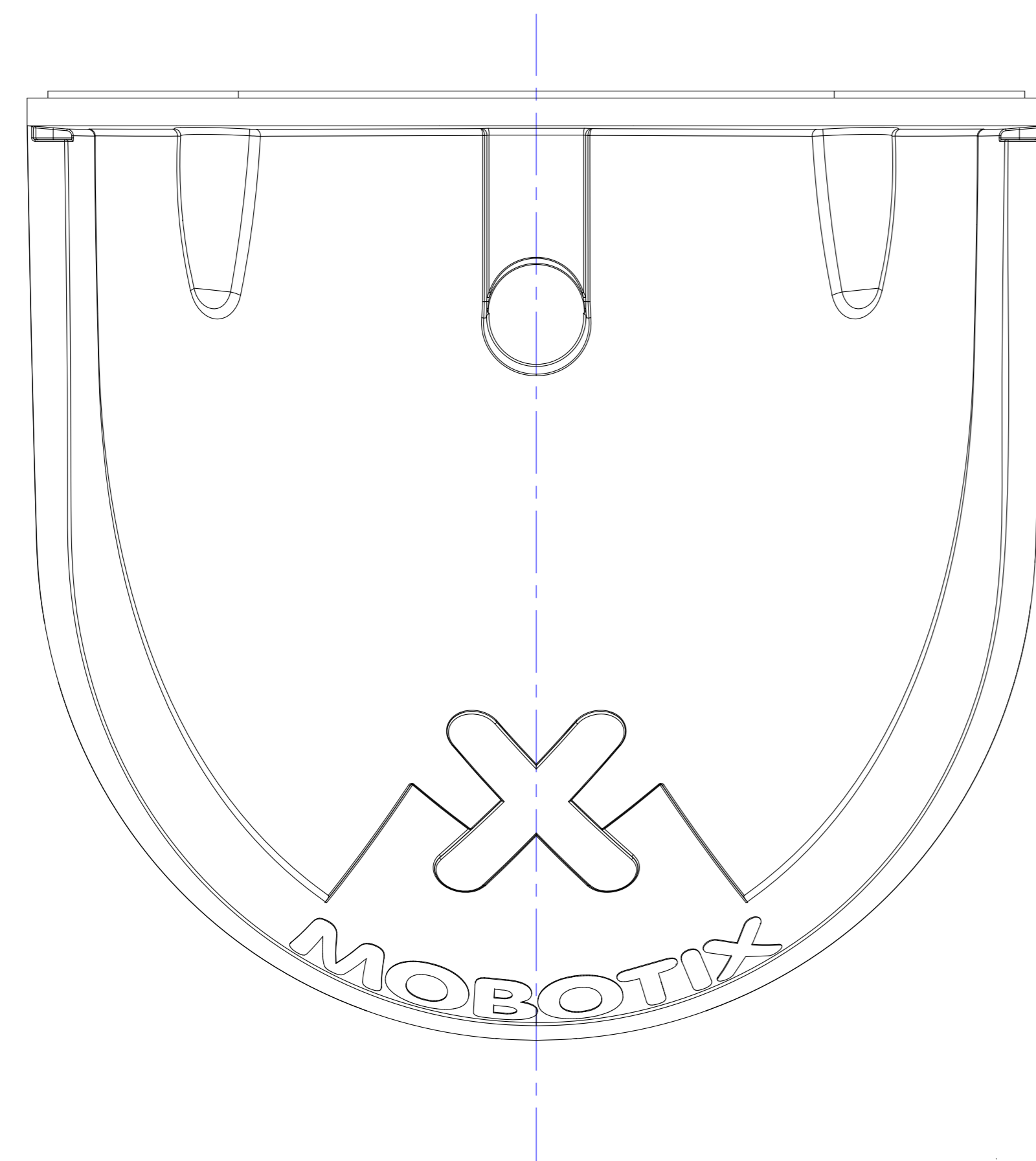
Front



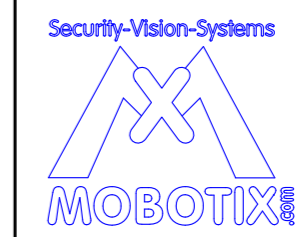
Side



Bottom



For internal use only. Technical specifications subject to change without notice. MOBOTIX does not assume responsibility for mistakes and recommends to verify measures and mechanical design with an actual product of the chosen MOBOTIX hardware. The reproduction, distribution and utilization of this document as well as the communication of its contents to others without express authorization is prohibited. Offenders will be held liable for the payment of damages. All rights reserved in the event of the grant of a patent, Utility model, design or trademark. No rights are transferred herewith.

All measures are in mm		Surface quality				Company		MOBOTIX AG	
Name		Signature		Date		Product		D15 Wall Mount	
Drawn		SBe		14.03.13					
Tested									
Approved									
Production									
Quality						Material		Drawing	
								DIN A0	
						Weight		Scale 1:1	
								Page 1/1	