

D25 IT/ Secure



Outer shell

Dome



Lens unit

Key R

Key L

LEDs

Slot for MicroSD card

MiniUSB (e.g. for ExtIO)

Network Connection



160 mm

85 mm

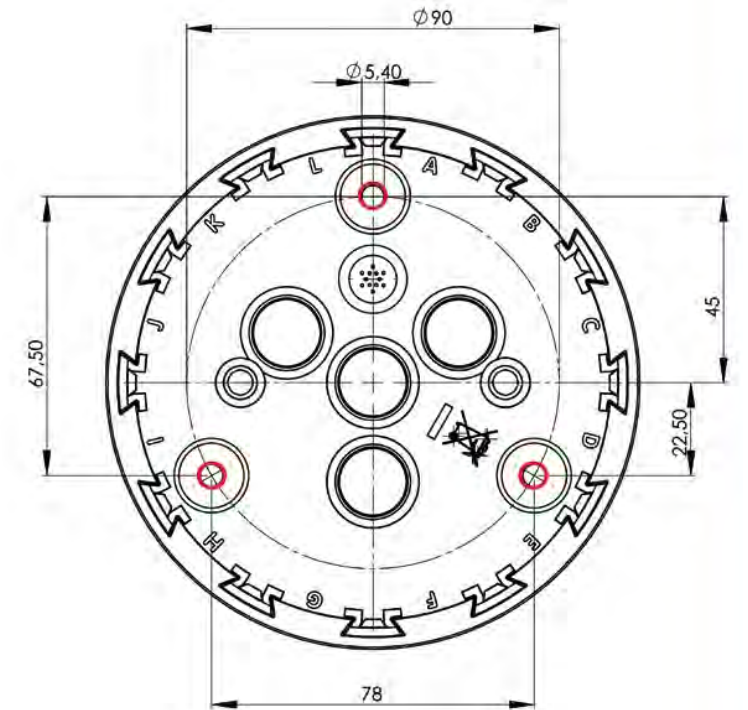


D25 Basic




129 mm

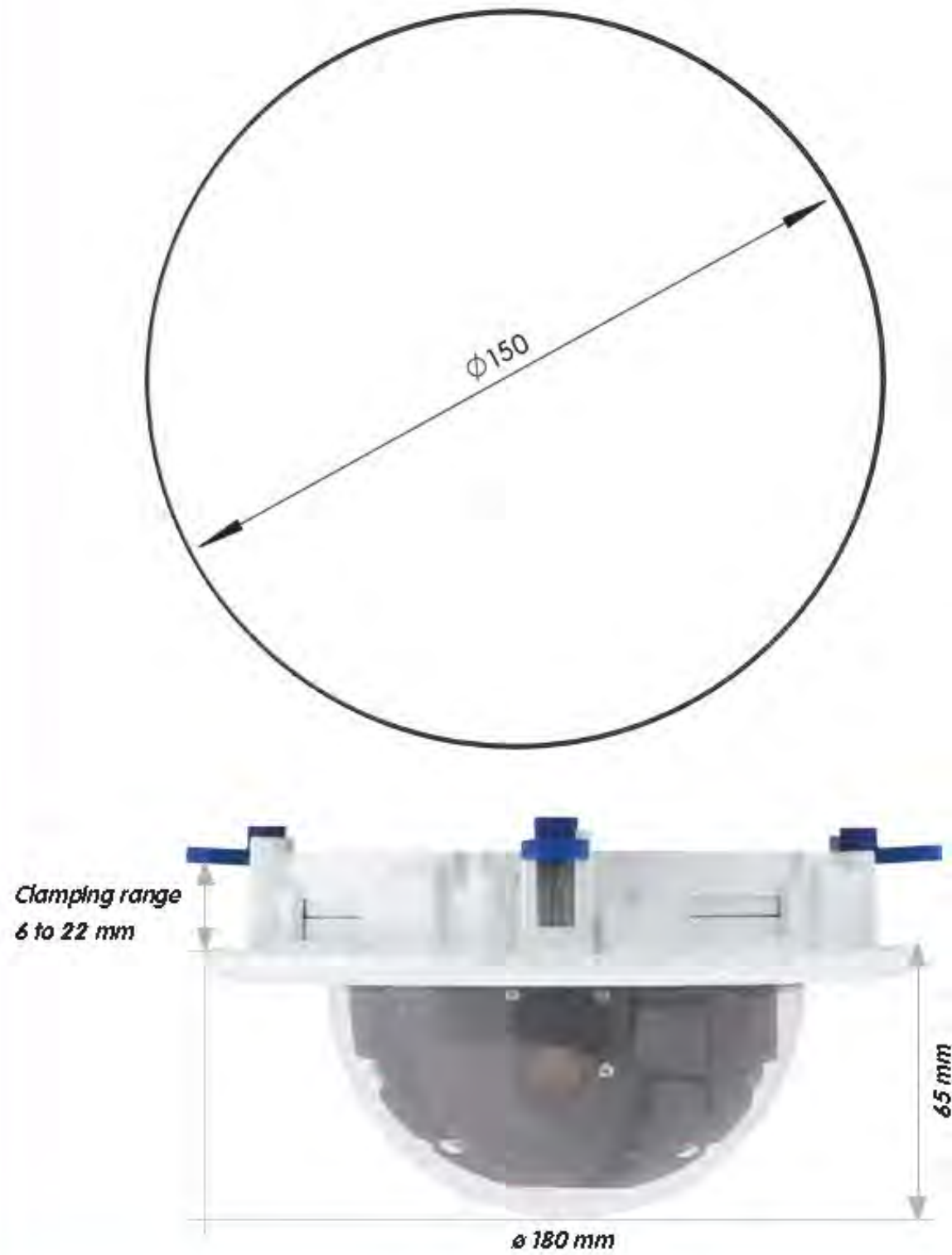
85 mm



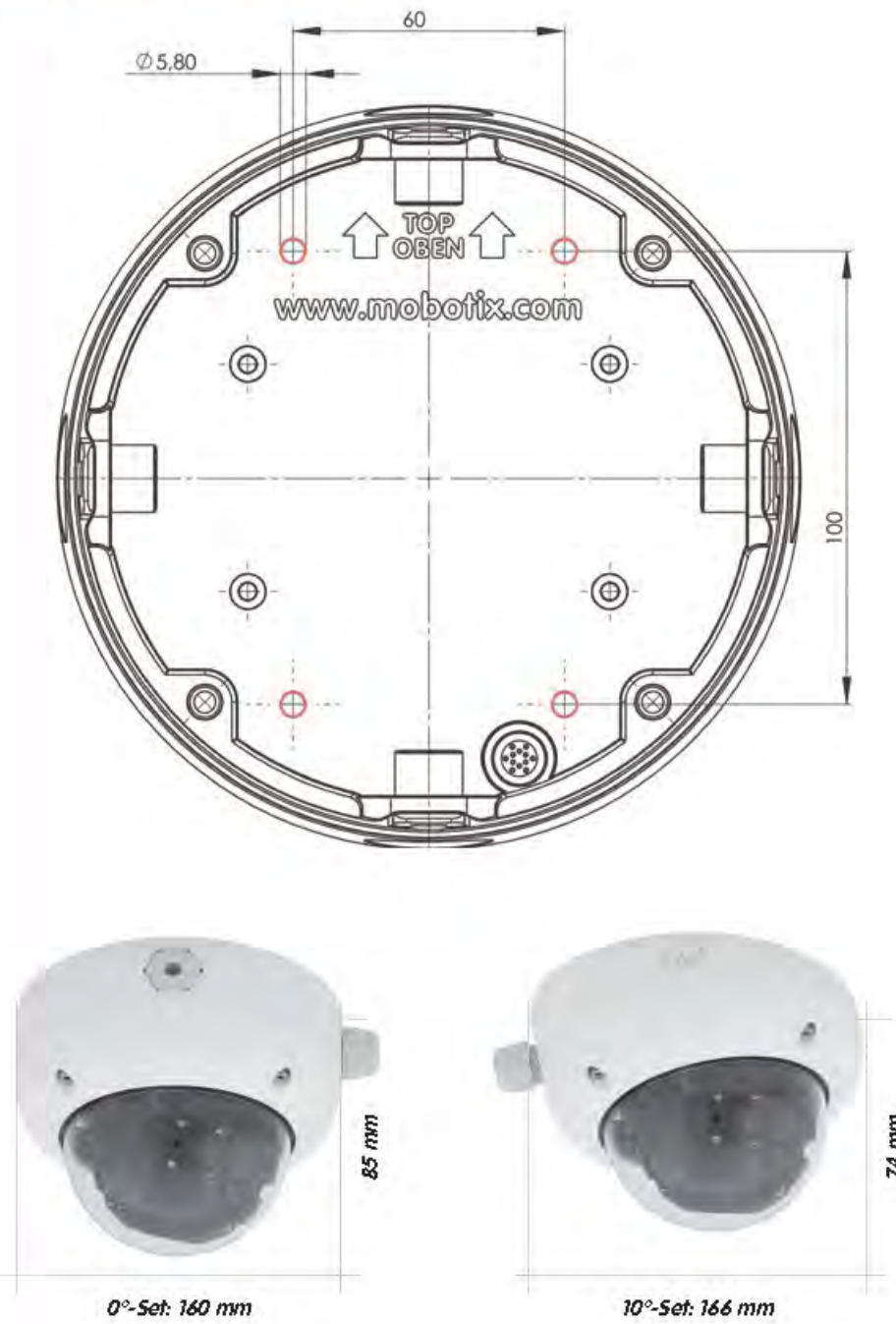
For internal use only. Technical specifications subject to change without notice. MOBOTIX does not assume responsibility for mistakes and recommends to verify measures and mechanical design with an actual product of the chosen MOBOTIX hardware. The reproduction, distribution and utilization of this document as well as the communication of its contents to others without express authorization is prohibited. Offenders will be held liable for the payment of damages. All rights reserved in the event of the grant of a patent, Utility model, design or trademark. No rights are transferred herewith.

All measures are in mm		Surface quality		Company	
				 The HiRes Video Company	
	Name	Signature	Date	Product	
Drawn	SBe		10.10.2012	<h3>D25 Camera</h3>	
Tested					
Approved					
Production					
Quality				Material	Drawing
				Weight	Scale
					Page
					DIN A3


D25 Ceiling Mount



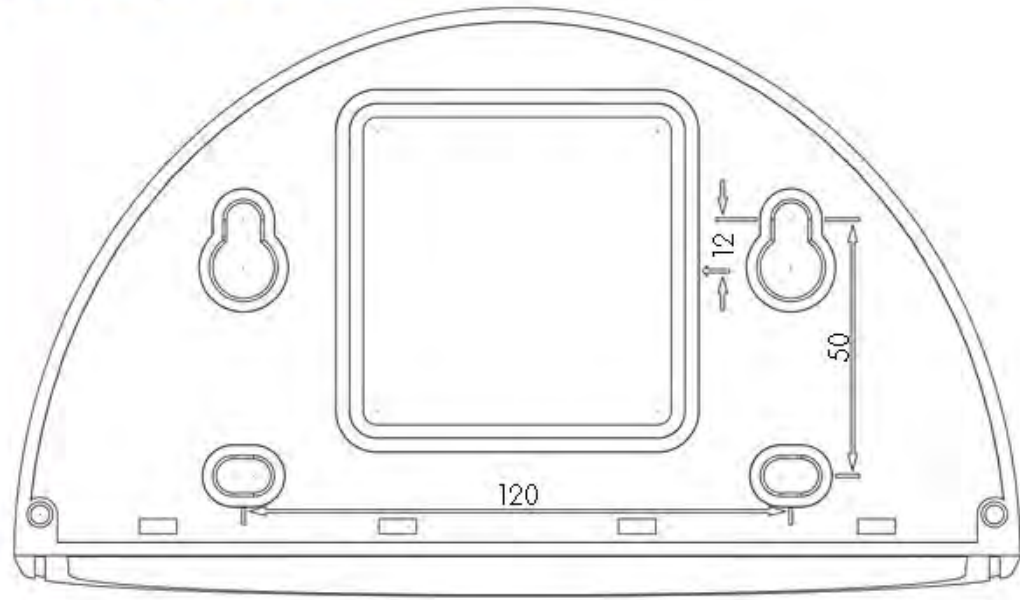
D25 On-Wall Mount



For internal use only. Technical specifications subject to change without notice. MOBOTIX does not assume responsibility for mistakes and recommends to verify measures and mechanical design with an actual product of the chosen MOBOTIX hardware. The reproduction, distribution and utilization of this document as well as the communication of its contents to others without express authorization is prohibited. Offenders will be held liable for the payment of damages. All rights reserved in the event of the grant of a patent, Utility model, design or trademark. No rights are transferred herewith.

All measures are in mm		Surface quality		Company	
				 The HiRes Video Company	
	Name	Signature	Date	Product	
Drawn	SBe		10.10.2012	D25 Ceiling Mount, On-Wall Mount	
Tested					
Approved					
Production					
Quality				Material	Drawing
				Weight	Scale
					Page


D25 Wall Mount



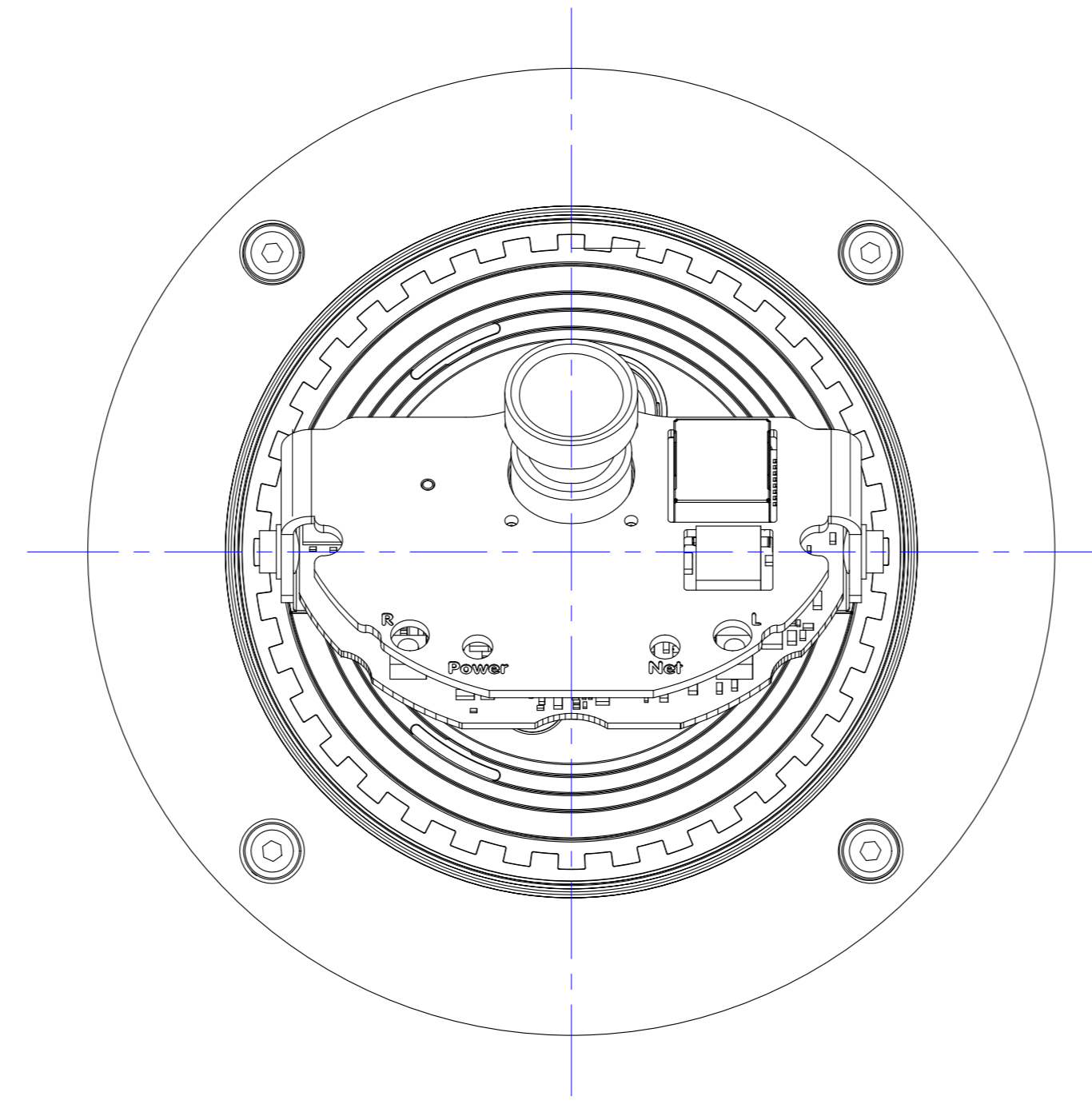
D25 Pole Mount



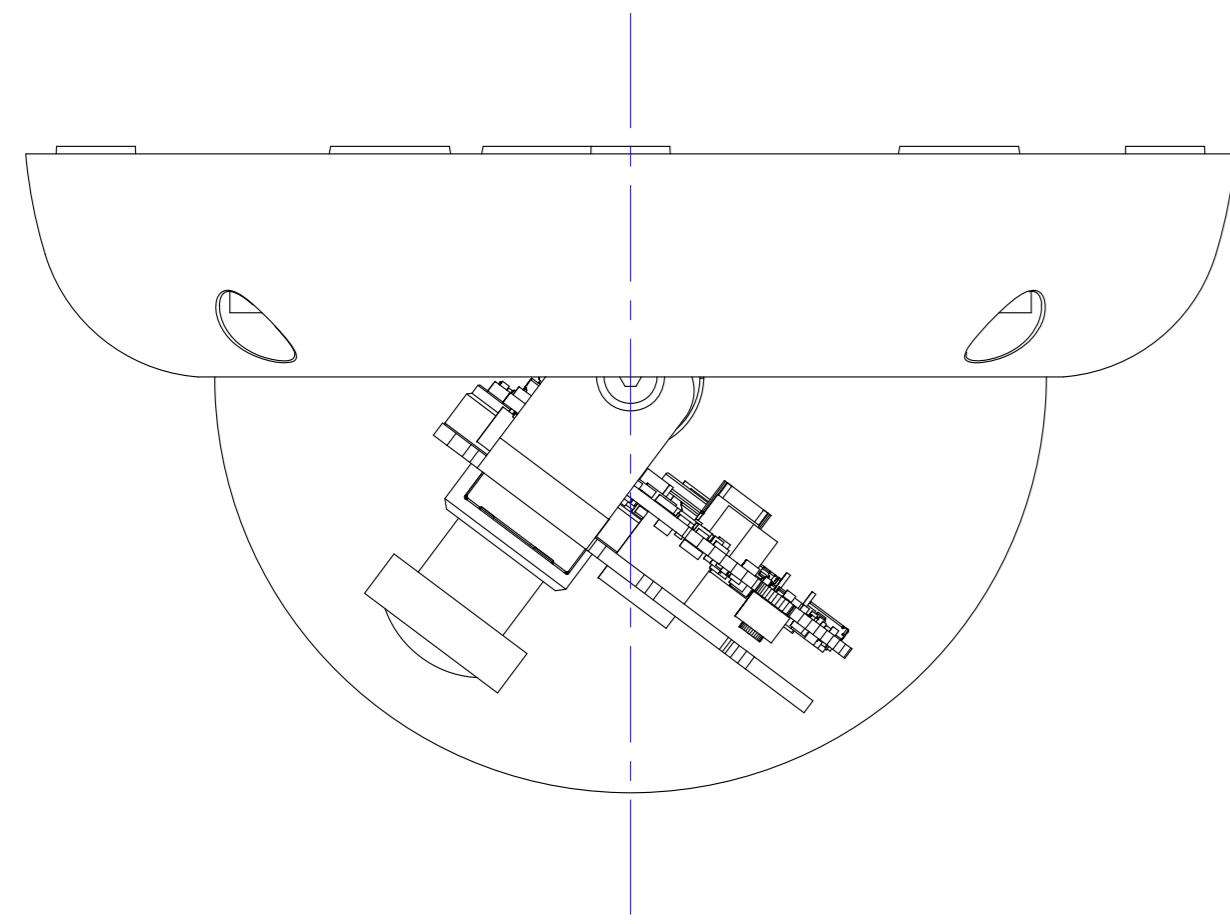
For internal use only. Technical specifications subject to change without notice. MOBOTIX does not assume responsibility for mistakes and recommends to verify measures and mechanical design with an actual product of the chosen MOBOTIX hardware. The reproduction, distribution and utilization of this document as well as the communication of its contents to others without express authorization is prohibited. Offenders will be held liable for the payment of damages. All rights reserved in the event of the grant of a patent, Utility model, design or trademark. No rights are transferred herewith.

All measures are in mm		Surface quality		Company		 The HiRes Video Company	
	Name	Signature	Date	Product		D25 Wall Mount, Pole Mount	
Drawn	SBe		10.10.2012				
Tested							
Approved							
Production				Material		Drawing	
Quality							
				Weight		Scale	
						Page	

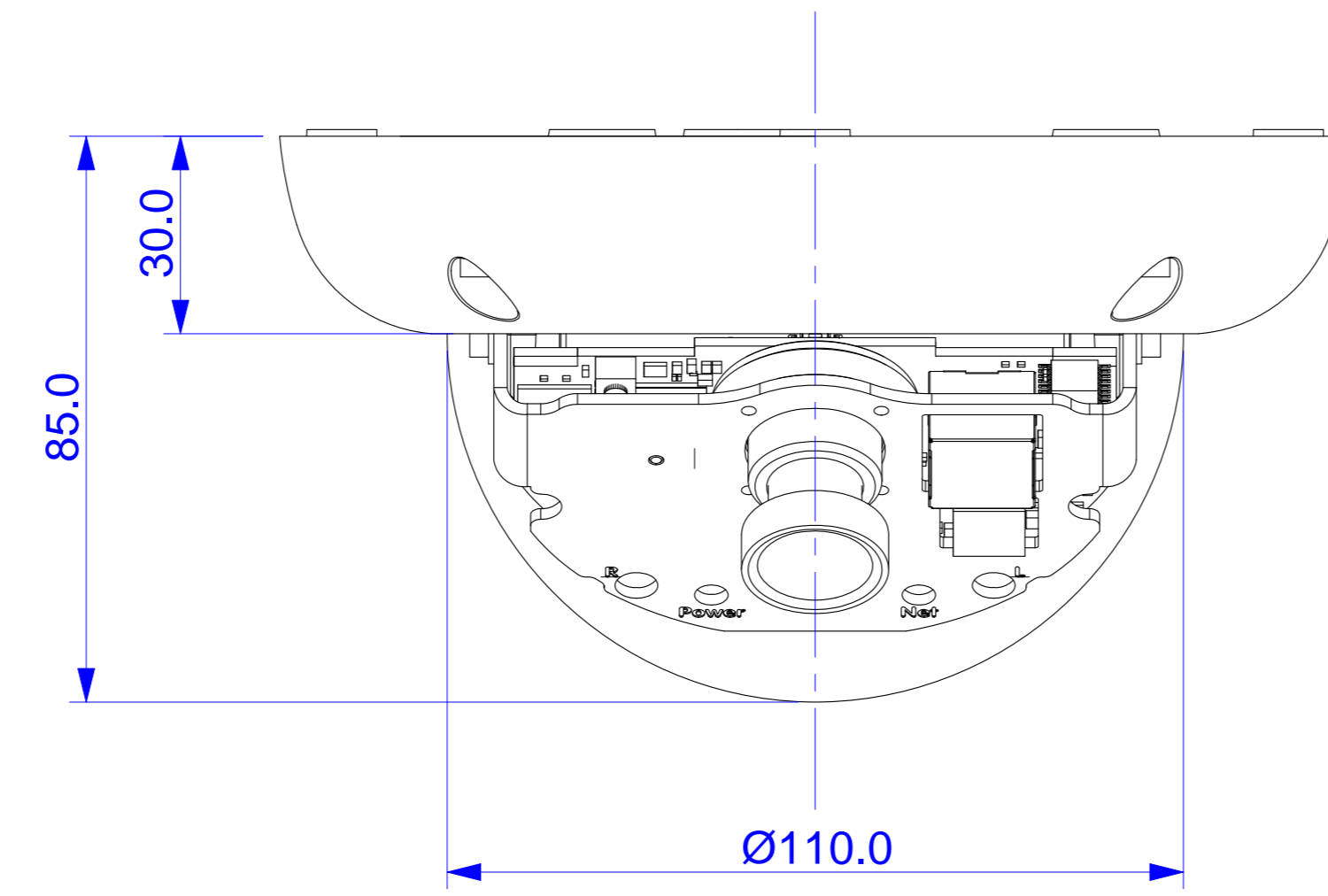
Top



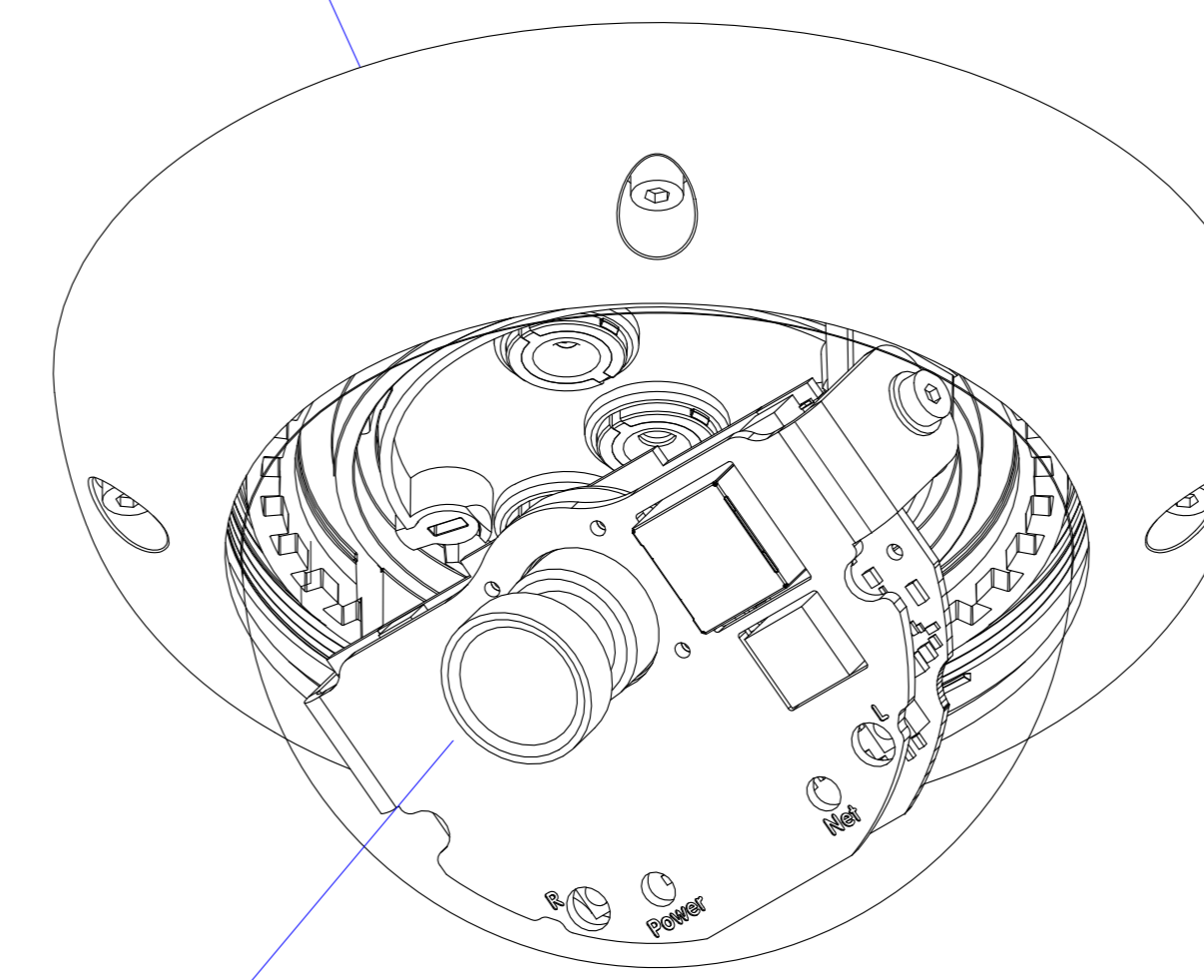
Side



Front

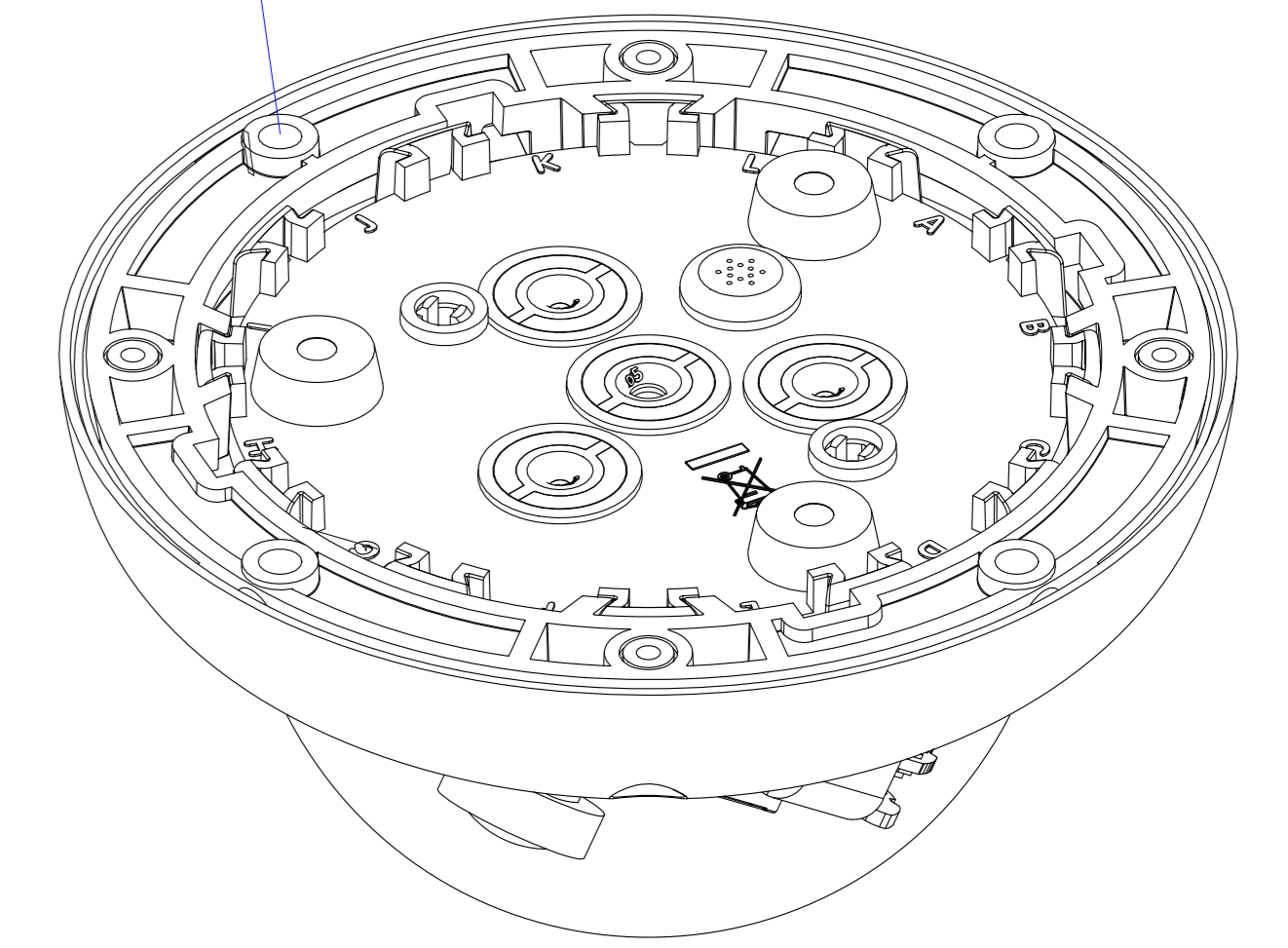


Camera housing

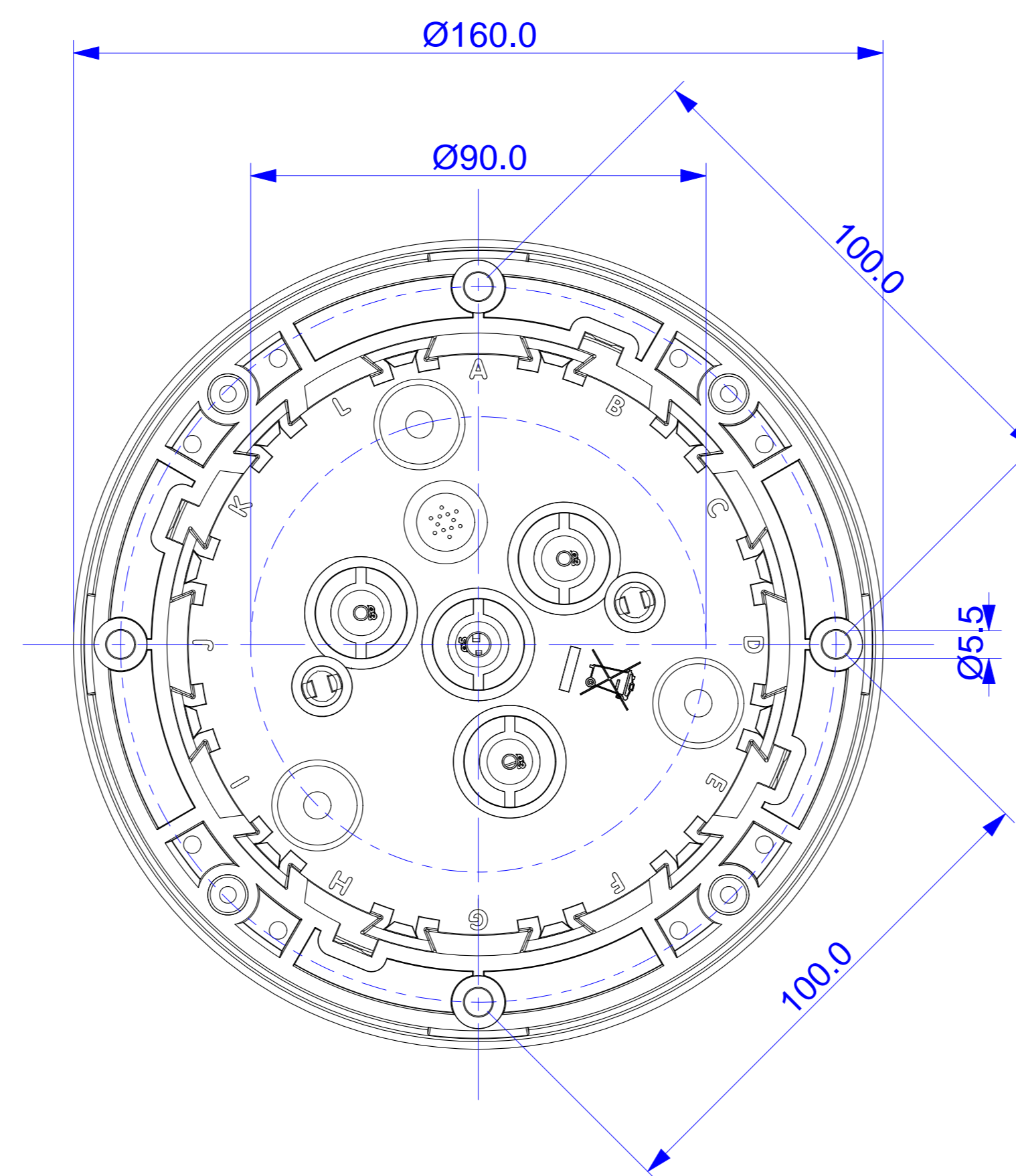


Lens

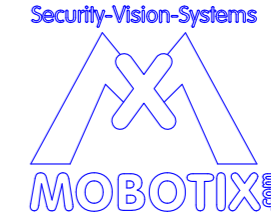
Mounting ring



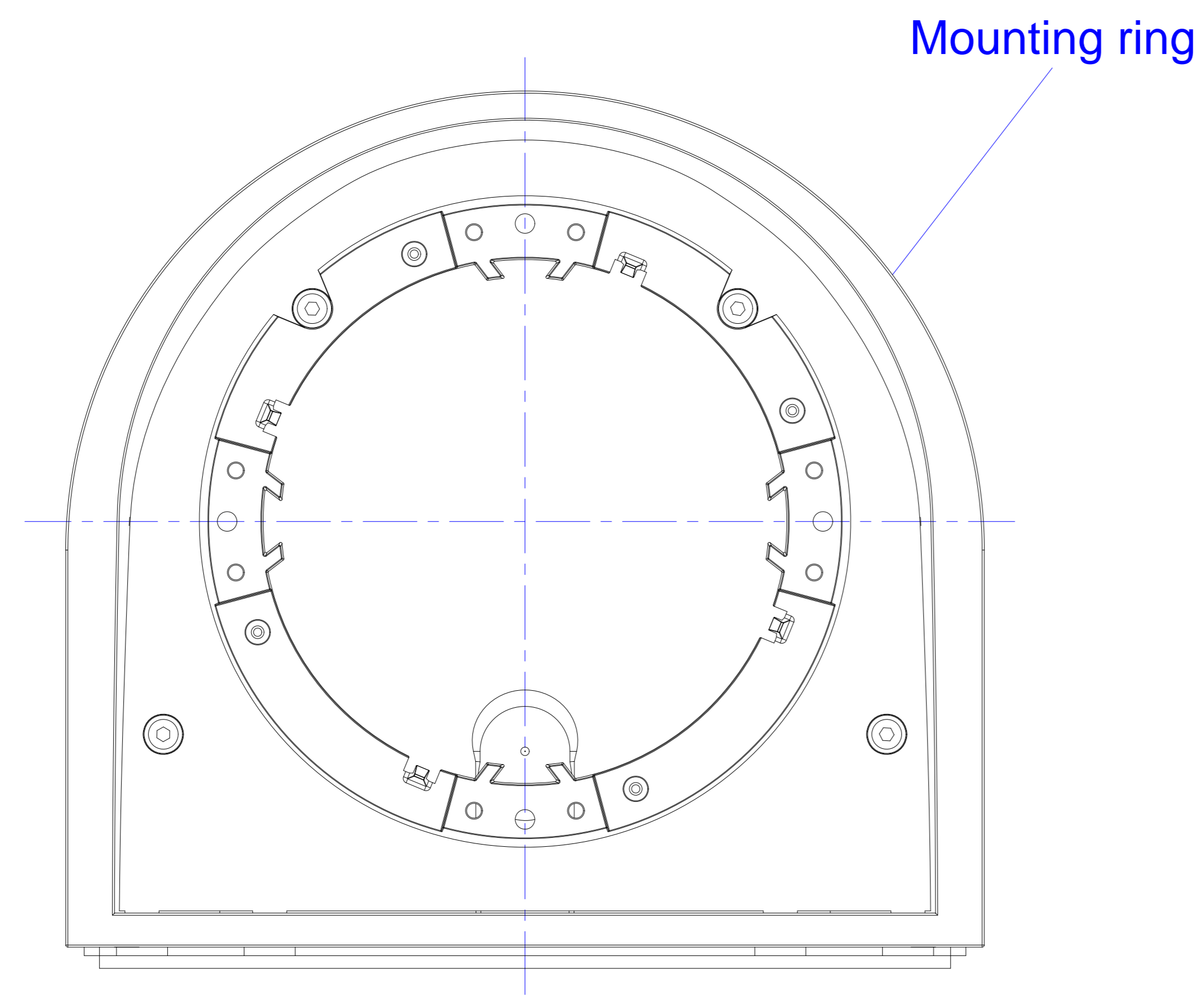
Bottom



For internal use only. Technical specifications subject to change without notice. MOBOTIX does not assume responsibility for mistakes and recommends to verify measures and mechanical design with an actual product of the chosen MOBOTIX hardware. The reproduction, distribution and utilization of this document as well as the communication of its contents to others without express authorization is prohibited. Offenders will be held liable for the payment of damages. All rights reserved in the event of the grant of a patent, Utility model, design or trademark. No rights are transferred herewith.

All measures are in mm		Surface quality		 Company MOBOTIX AG	
Drawn	Name SBe	Signature	Date 14.03.13	Product D25 Camera	
Tested					
Approved					
Production					
Quality				Material	Drawing DIN A0
				Weight	
				Scale 1:1	Page 1/1

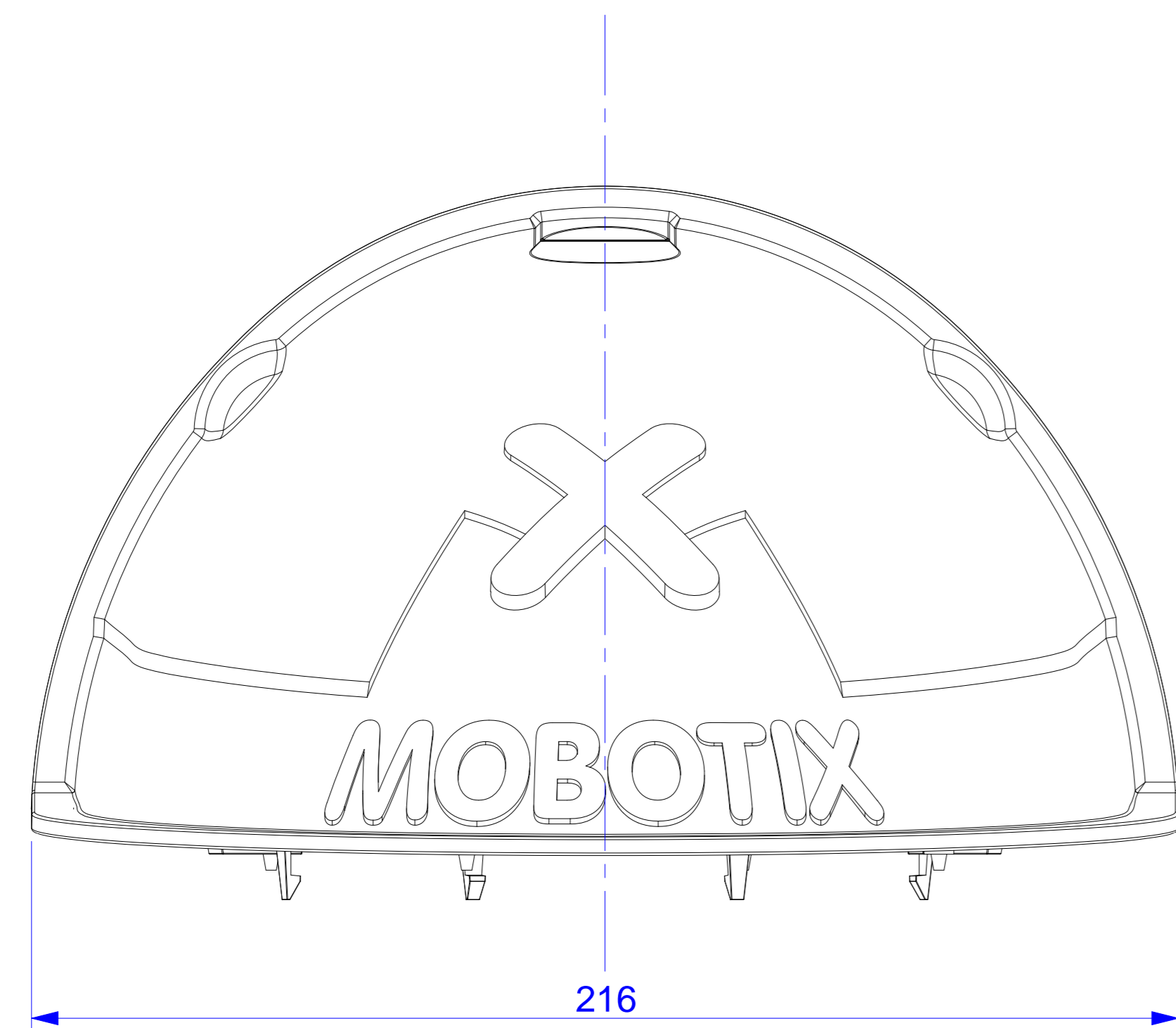
Top



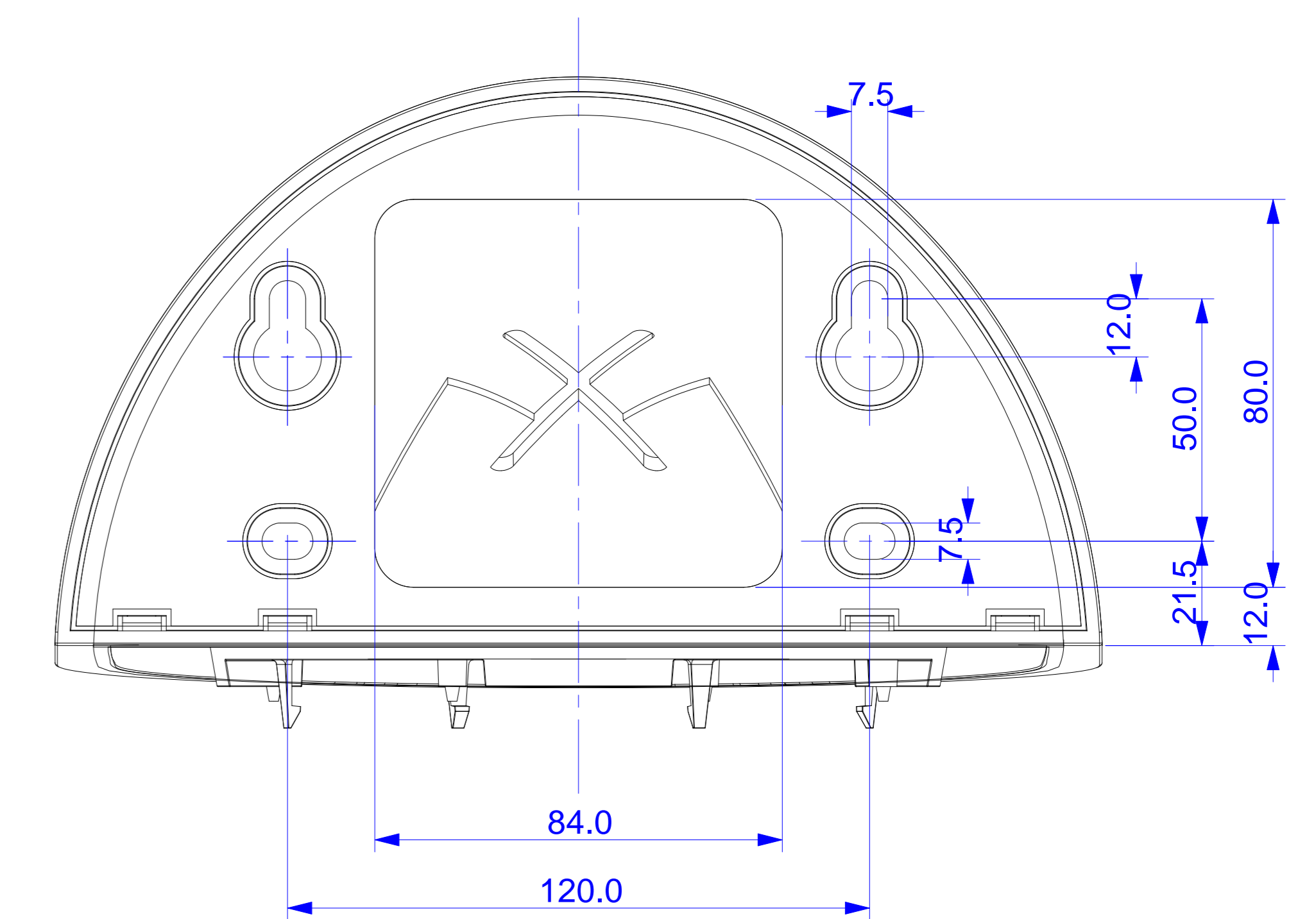
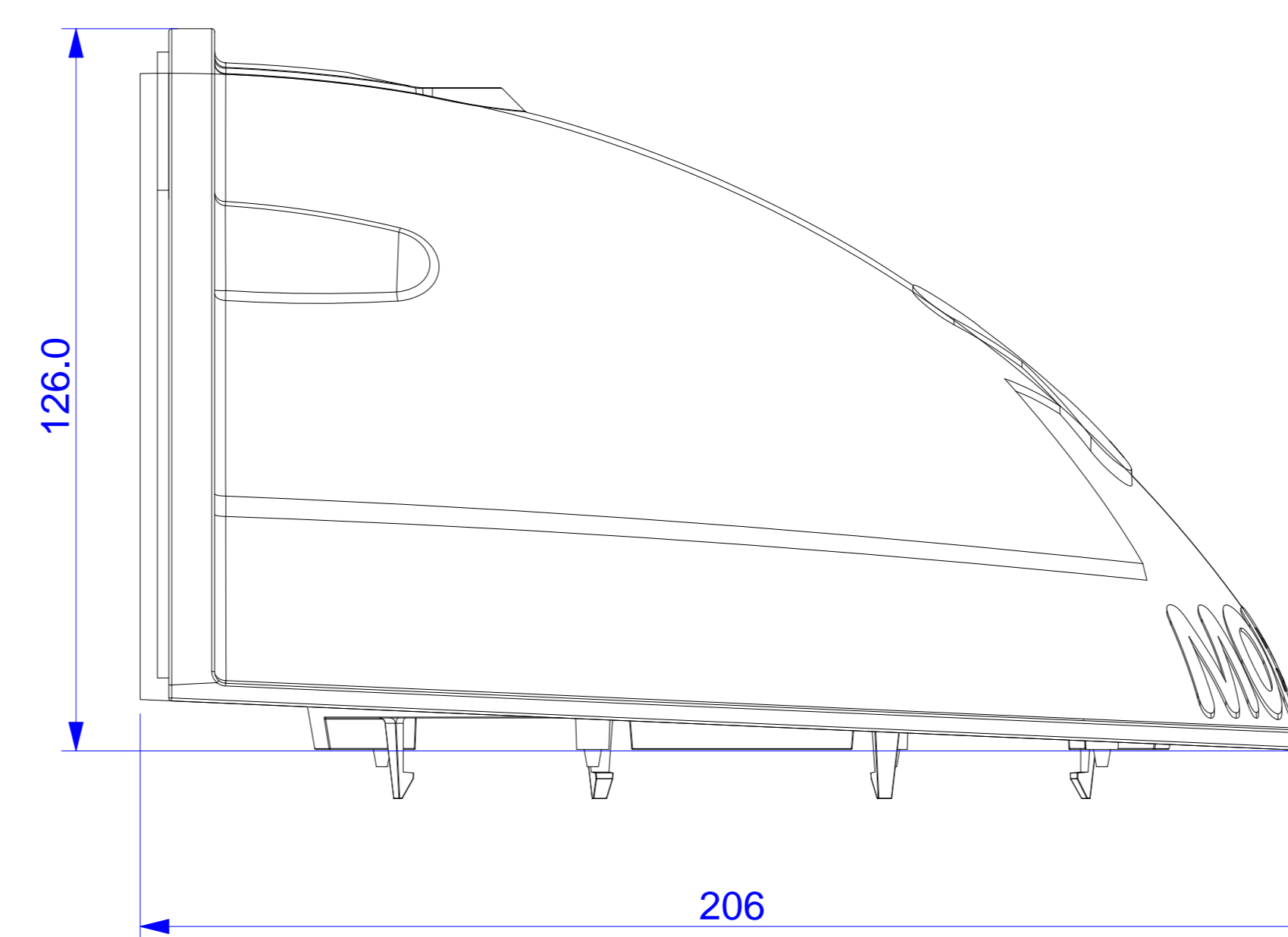
Housing



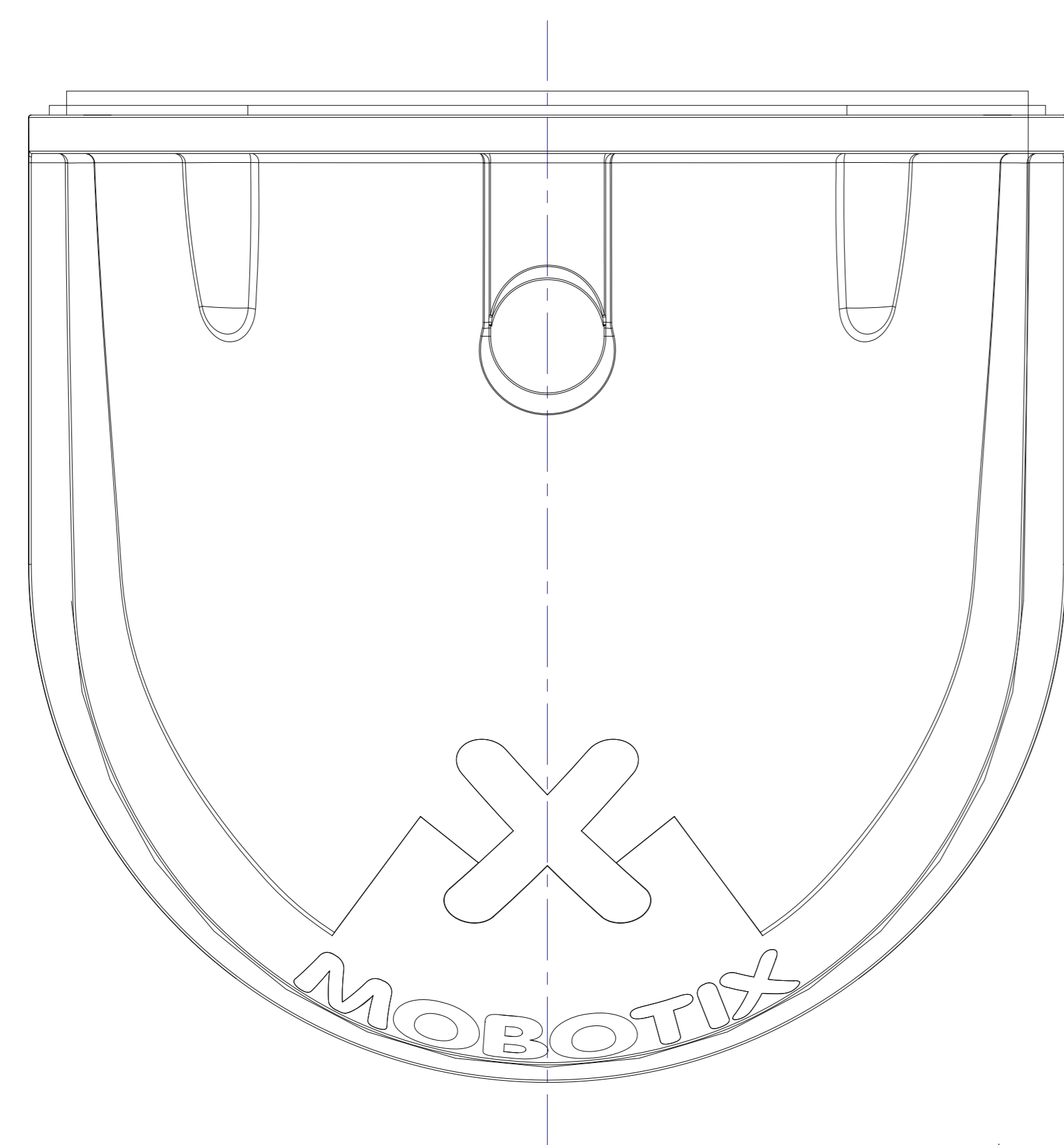
Front




Side



Bottom



For internal use only. Technical specifications subject to change without notice. MOBOTIX does not assume responsibility for mistakes and recommends to verify measures and mechanical design with an actual product of the chosen MOBOTIX hardware. The reproduction, distribution and utilization of this document as well as the communication of its contents to others without express authorization is prohibited. Offenders will be held liable for the payment of damages. All rights reserved in the event of the grant of a patent, Utility model, design or trademark. No rights are transferred herewith.

All measures are in mm		Surface quality		 Security-Systeme MOBOTIX		Company	
						MOBOTIX AG	
Drawn	Name	Signature	Date			Product	
	SBe		14.03.13			D25, Q25 Wall Mount	
Tested							
Approved							
Production							
Quality				Material		Drawing	
						DIN A0	
				Weight		Scale 1:1	
						Page 1/1	