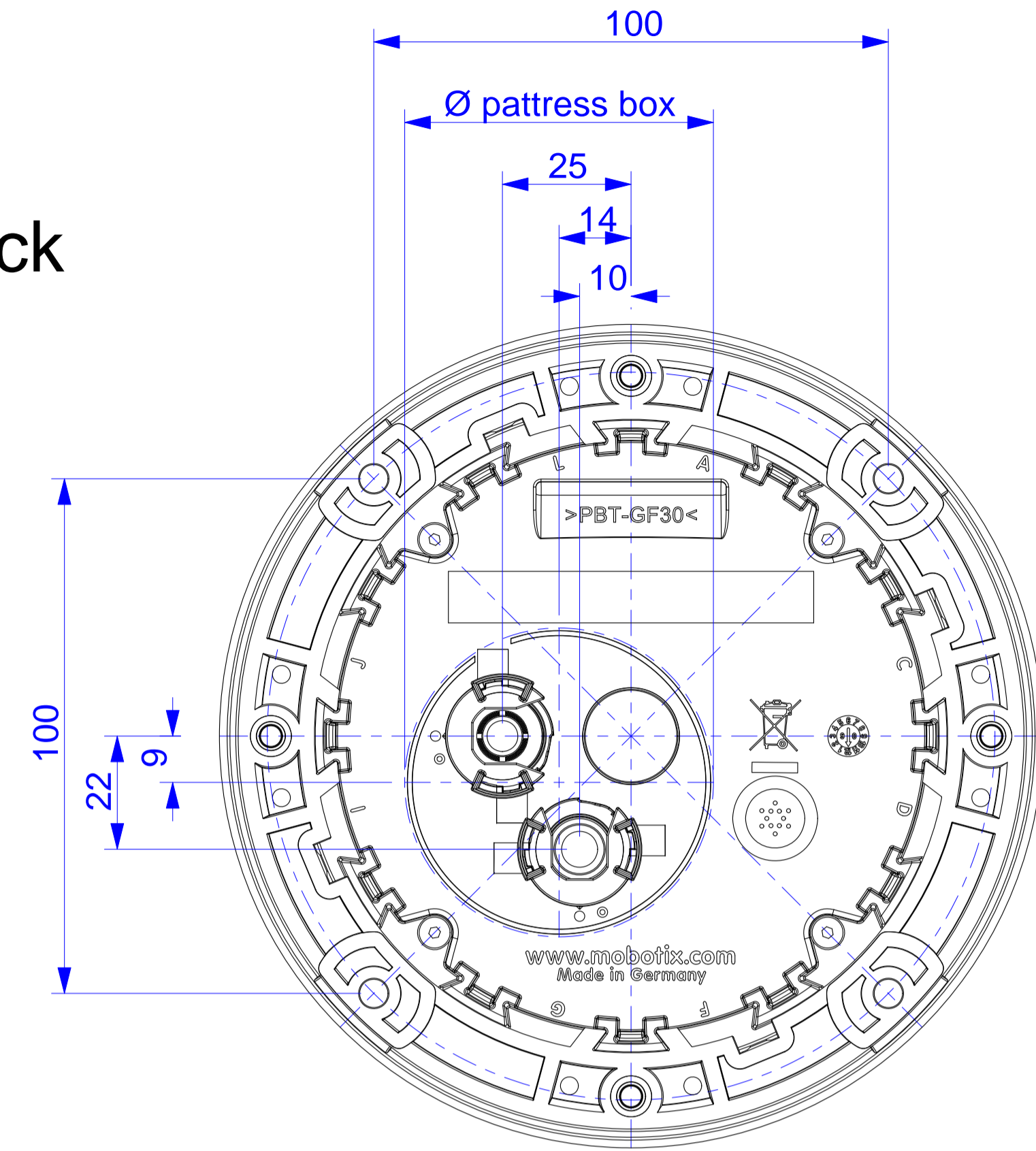
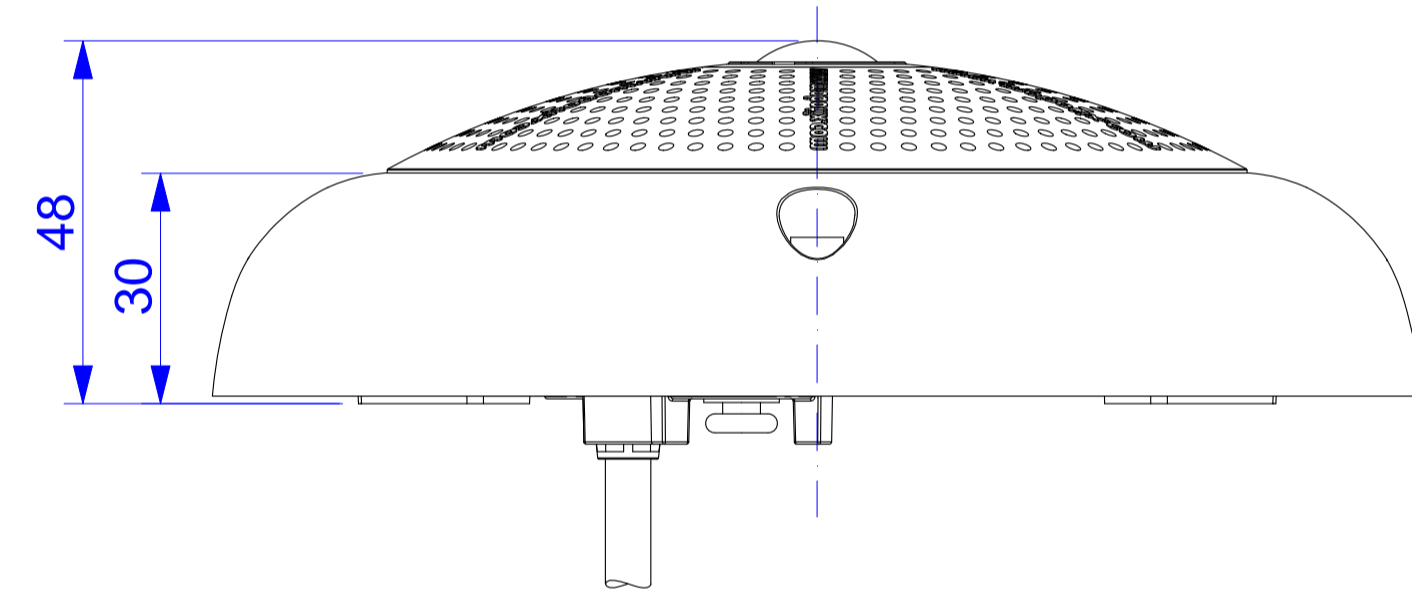


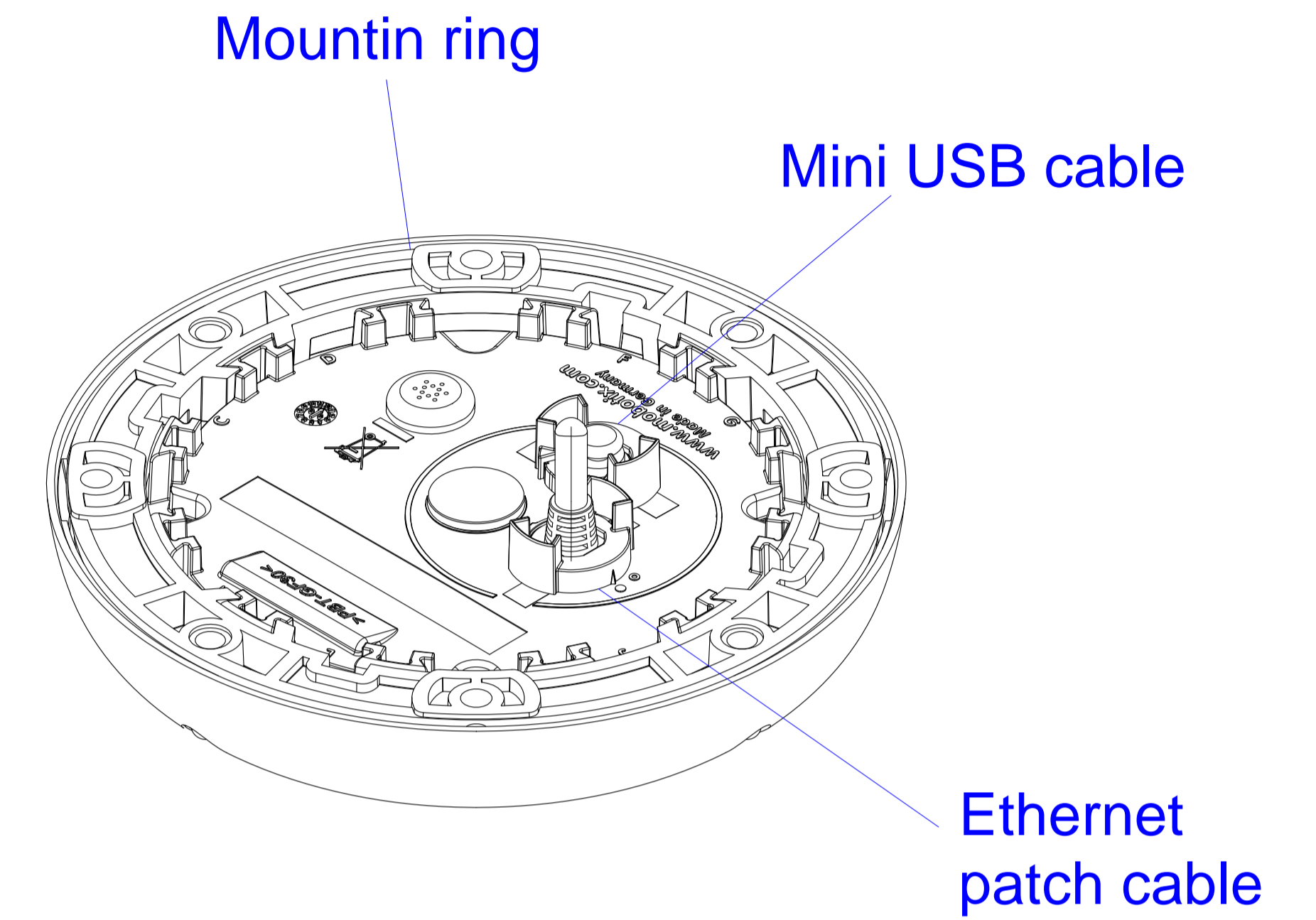
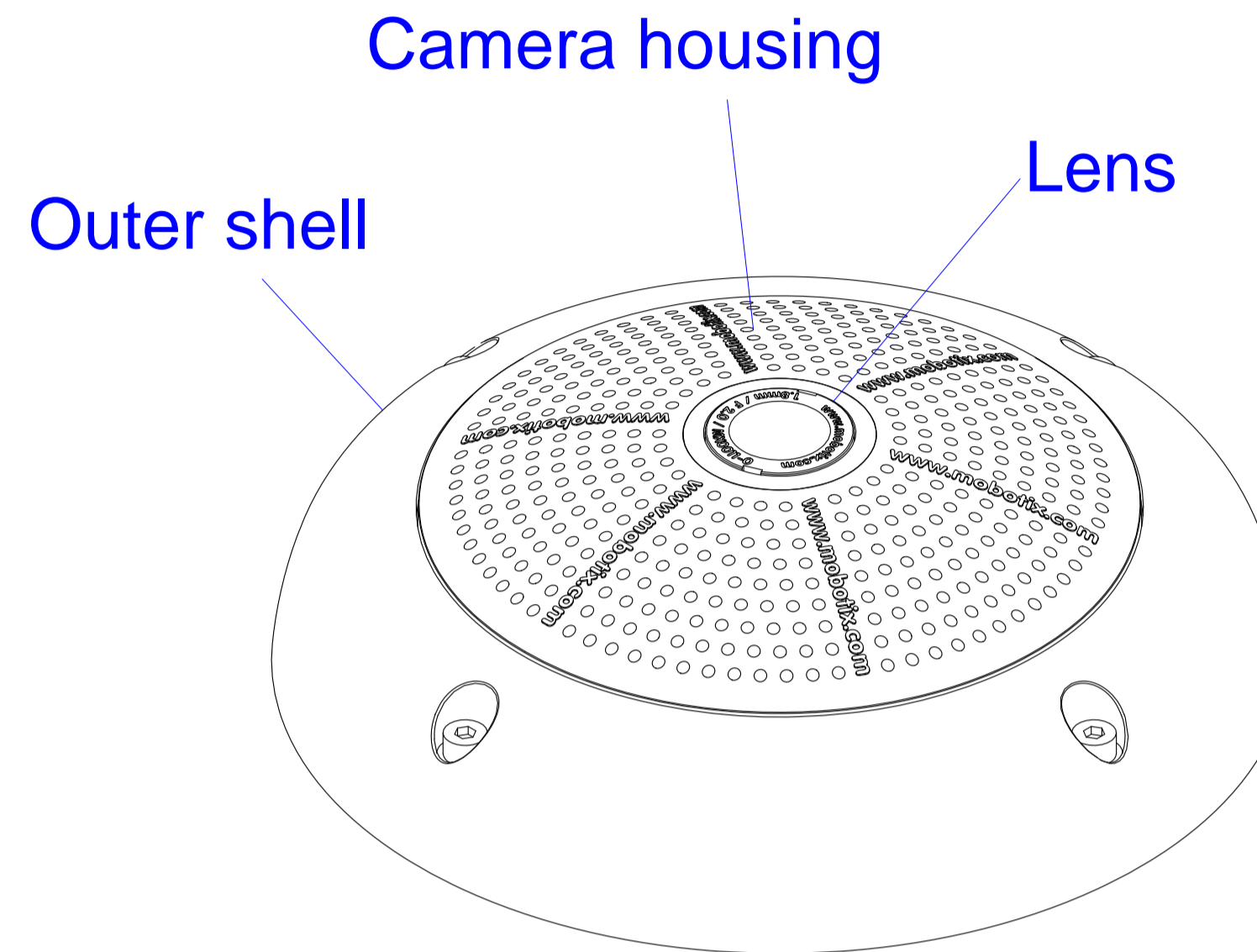
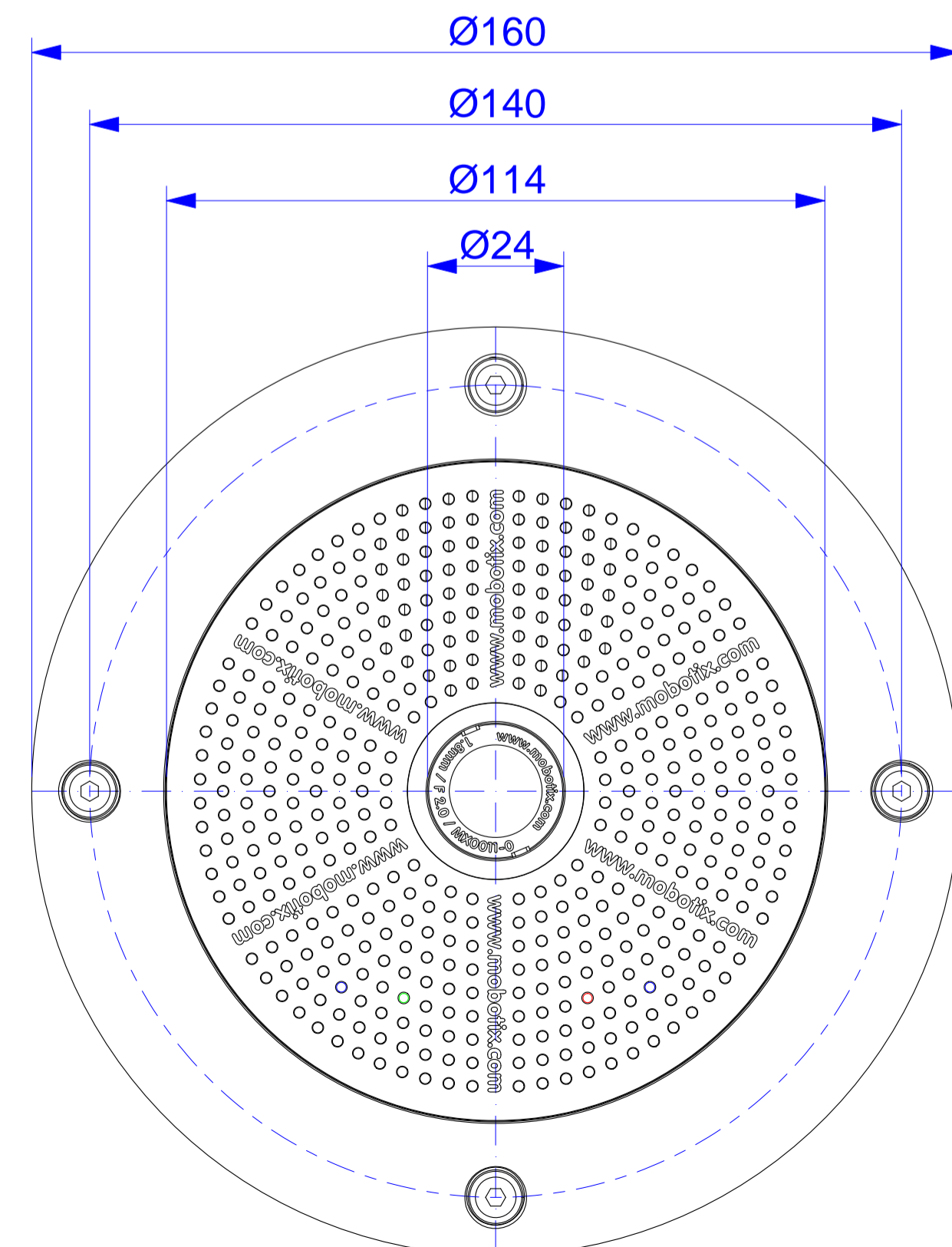
Back



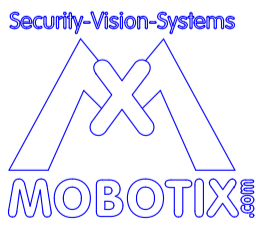
Side



Top



For internal use only. Technical specifications subject to change without notice. MOBOTIX does not assume responsibility for mistakes and recommends to verify measures and mechanical design with an actual product of the chosen MOBOTIX hardware. The reproduction, distribution and utilization of this document as well as the communication of its contents to others without express authorization is prohibited. Offenders will be held liable for the payment of damages. All rights reserved in the event of the grant of a patent, Utility model, design or trademark. No rights are transferred herewith.

All measures are in mm		Surface quality			 Security-Vision-Systems Company		MOBOTIX AG	
	Name	Signature	Date			Product		
Drawn	SBe		24.07.11			Q25 Camera		
Tested								
Approved								
Production								
Quality				Material		Drawing		DIN A1
				Weight		Scale 1:1	Page 1/1	